

Dimensions and weights	REF•1	Conversion factors	REF•6
Vehicle identification	REF•3	Tools and working facilities	REF•7
General repair procedures	REF•4	MOT test checks	REF•10
Jacking and vehicle support	REF•5	Fault finding	REF•14
Buying spare parts	REF•5	Glossary of technical terms	REF•22
Radio/cassette unit anti-theft system	REF•5	Index	REF•27



Dimensions and weights

Note: All figures are approximate, and may vary according to model. Refer to manufacturer's data for exact figures.

Dimensions

Overall length:	
3/5 door hatchback models	3743 mm
XR2i, RS Turbo and RS 1800 models	3801 mm
Courier models	4052 mm
Width (excluding mirrors):	
3/5 door hatchback models	1606 mm
XR2i, RS Turbo and RS 1800 models	1630 mm
Courier models	1650 mm
Overall height:	
3/5 door hatchback models	1376 mm
XR2i, RS Turbo and RS 1800 models	1365 mm
Courier models	1812 mm
Wheelbase:	
Courier models	2700 mm
All other models	2446 mm
Front track:	
3/5 door hatchback models	1392 mm
XR2i, RS Turbo and RS 1800 models	1406 mm
Courier models	1392 mm
Rear track:	
3/5 door hatchback models	1384 mm
XR2i, RS Turbo and RS 1800 models	1376 mm
Courier models	1395 mm

REF•2 Conversion factors

Weights

Kerb weight*:

3-door hatchback:

1.0 litre models	770 to 780 kg
1.1 litre models	785 to 850 kg
1.3 litre models	825 to 870 kg
1.4 litre models	920 to 940 kg
1.6 litre models	990 to 1010 kg
XR2i (1.6 litre) models	890 to 910 kg
XR2i (1.8 litre) models	955 to 974 kg
RS Turbo models	910 to 930 kg
RS 1800 models	954 to 965 kg

5-door hatchback:

1.0 litre models	795 to 810 kg
1.1 litre models	810 to 845 kg
1.3 litre models	845 to 870 kg
1.4 litre models	840 to 870 kg
1.6 litre models	980 to 1029 kg

Vans:

1.0 litre models	775 kg
1.1 litre models	775 to 790 kg
1.3 litre models	795 kg
Courier models	920 kg

Payload:

1.0 litre Van models	310 to 335 kg
1.1 litre Van models	310 to 335 kg
1.3 litre Van models	330 kg
Courier models	515 to 525 kg

Maximum roof rack load 75 kg

Maximum towing weight Refer to your Ford dealer for weights and legal requirements concerning anticipated gradients and altitudes.

**Exact kerb weight varies depending on model - refer to VIN plate for details*

Vehicle identification

Modifications are a continuing and unpublicised process in vehicle manufacture, quite apart from major model changes. Spare parts manuals and lists are compiled upon a numerical basis, the individual vehicle identification numbers being essential to correct identification of the component concerned.

When ordering spare parts, always give as much information as possible. Quote the

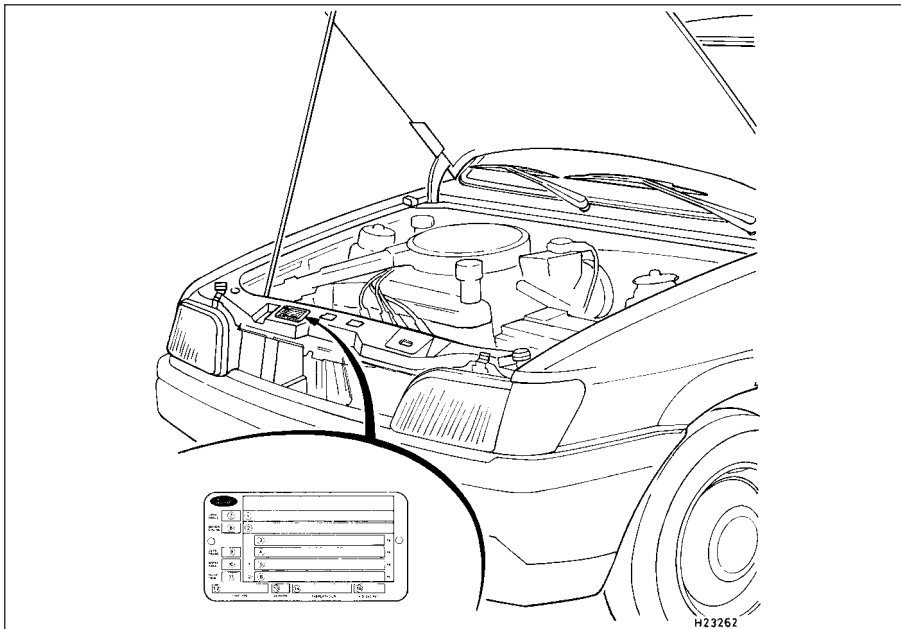
vehicle model, year of manufacture, body and engine numbers as appropriate.

The *vehicle identification plate* is located on the top of the front crossmember in the engine compartment (see illustration). In addition to many other details, it carries the Vehicle Identification Number (VIN), maximum vehicle weight information, and codes for interior trim and body colours.

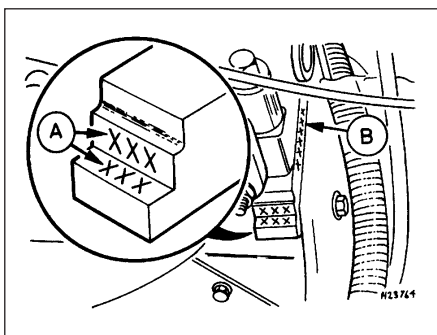
The *Vehicle Identification Number (VIN)* is given on the vehicle identification plate (see illustration). It is also located in a recess in the floor to the right-hand side of the driver's seat, access being gained after lifting the aperture cover. On later models, the number is also stamped on a metal tag fixed to the left-hand side of the facia, which can be read through the windscreen.

The *body number and paint code numbers* are located on the vehicle identification plate.

The *engine number* location is dependent on the engine type. On the HCS engines, it is stamped on the front left-hand side of the cylinder block towards the transmission (facing the radiator) (see illustration). On the CVH and PTE engines, the location of the engine number is dependent on the equipment fitted, but is on the exhaust side of the engine, facing either towards the timing belt end or the transmission end (see illustration). On the Zetec engines, the number can be found on the forward-facing side of the cylinder block, level with the starter motor, or on the cylinder head just above the thermostat housing (see illustration).

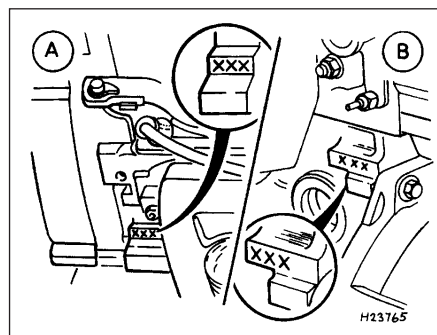


Vehicle identification plate

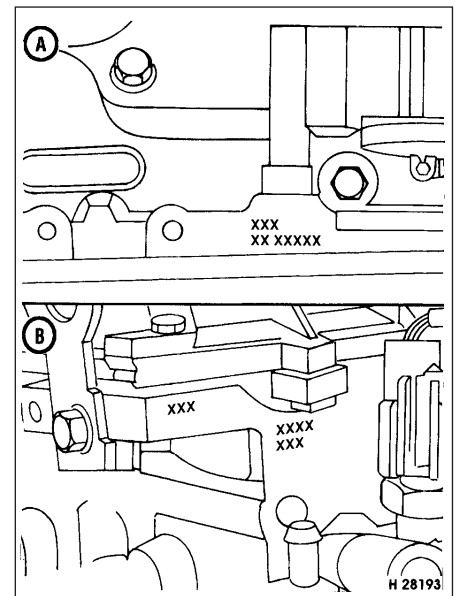


HCS engine identification numbers location

A Engine code (side or upper face)
B Serial number



CVH and PTE engine identification number location is on (A) the right-hand side or (B) the left-hand side, according to model and equipment



Zetec engine identification number on forward-facing side of cylinder block level with the starter motor (A), or on cylinder head just above thermostat housing (B)

REF•4 General repair procedures

Whenever servicing, repair or overhaul work is carried out on the car or its components, observe the following procedures and instructions. This will assist in carrying out the operation efficiently and to a professional standard of workmanship.

Joint mating faces and gaskets

When separating components at their mating faces, never insert screwdrivers or similar implements into the joint between the faces in order to prise them apart. This can cause severe damage which results in oil leaks, coolant leaks, etc upon reassembly. Separation is usually achieved by tapping along the joint with a soft-faced hammer in order to break the seal. However, note that this method may not be suitable where dowels are used for component location.

Where a gasket is used between the mating faces of two components, a new one must be fitted on reassembly; fit it dry unless otherwise stated in the repair procedure. Make sure that the mating faces are clean and dry, with all traces of old gasket removed. When cleaning a joint face, use a tool which is unlikely to score or damage the face, and remove any burrs or nicks with an oilstone or fine file.

Make sure that tapped holes are cleaned with a pipe cleaner, and keep them free of jointing compound, if this is being used, unless specifically instructed otherwise.

Ensure that all orifices, channels or pipes are clear, and blow through them, preferably using compressed air.

Oil seals

Oil seals can be removed by levering them out with a wide flat-bladed screwdriver or similar implement. Alternatively, a number of self-tapping screws may be screwed into the seal, and these used as a purchase for pliers or some similar device in order to pull the seal free.

Whenever an oil seal is removed from its working location, either individually or as part of an assembly, it should be renewed.

The very fine sealing lip of the seal is easily damaged, and will not seal if the surface it contacts is not completely clean and free from scratches, nicks or grooves. If the original sealing surface of the component cannot be restored, and the manufacturer has not made provision for slight relocation of the seal relative to the sealing surface, the component should be renewed.

Protect the lips of the seal from any surface which may damage them in the course of fitting. Use tape or a conical sleeve where possible. Lubricate the seal lips with oil before fitting and, on dual-lipped seals, fill the space between the lips with grease.

Unless otherwise stated, oil seals must be fitted with their sealing lips toward the lubricant to be sealed.

Use a tubular drift or block of wood of the appropriate size to install the seal and, if the seal housing is shouldered, drive the seal down to the shoulder. If the seal housing is

unshouldered, the seal should be fitted with its face flush with the housing top face (unless otherwise instructed).

Screw threads and fastenings

Seized nuts, bolts and screws are quite a common occurrence where corrosion has set in, and the use of penetrating oil or releasing fluid will often overcome this problem if the offending item is soaked for a while before attempting to release it. The use of an impact driver may also provide a means of releasing such stubborn fastening devices, when used in conjunction with the appropriate screwdriver bit or socket. If none of these methods works, it may be necessary to resort to the careful application of heat, or the use of a hacksaw or nut splitter device.

Studs are usually removed by locking two nuts together on the threaded part, and then using a spanner on the lower nut to unscrew the stud. Studs or bolts which have broken off below the surface of the component in which they are mounted can sometimes be removed using a stud extractor. Always ensure that a blind tapped hole is completely free from oil, grease, water or other fluid before installing the bolt or stud. Failure to do this could cause the housing to crack due to the hydraulic action of the bolt or stud as it is screwed in.

When tightening a castellated nut to accept a split pin, tighten the nut to the specified torque, where applicable, and then tighten further to the next split pin hole. Never slacken the nut to align the split pin hole, unless stated in the repair procedure.

When checking or retightening a nut or bolt to a specified torque setting, slacken the nut or bolt by a quarter of a turn, and then retighten to the specified setting. However, this should not be attempted where angular tightening has been used.

For some screw fastenings, notably cylinder head bolts or nuts, torque wrench settings are no longer specified for the latter stages of tightening, "angle-tightening" being called up instead. Typically, a fairly low torque wrench setting will be applied to the bolts/nuts in the correct sequence, followed by one or more stages of tightening through specified angles.

Locknuts, locktabs and washers

Any fastening which will rotate against a component or housing during tightening should always have a washer between it and the relevant component or housing.

Spring or split washers should always be renewed when they are used to lock a critical component such as a big-end bearing retaining bolt or nut. Locktabs which are folded over to retain a nut or bolt should always be renewed.

Self-locking nuts can be re-used in non-critical areas, providing resistance can be felt when the locking portion passes over the bolt or stud thread. However, it should be noted that self-locking stiffnuts tend to lose their

effectiveness after long periods of use, and should then be renewed as a matter of course.

Split pins must always be replaced with new ones of the correct size for the hole.

When thread-locking compound is found on the threads of a fastener which is to be re-used, it should be cleaned off with a wire brush and solvent, and fresh compound applied on reassembly.

Special tools

Some repair procedures in this manual entail the use of special tools such as a press, two or three-legged pullers, spring compressors, etc. Wherever possible, suitable readily-available alternatives to the manufacturer's special tools are described, and are shown in use. In some instances, where no alternative is possible, it has been necessary to resort to the use of a manufacturer's tool, and this has been done for reasons of safety as well as the efficient completion of the repair operation. Unless you are highly-skilled and have a thorough understanding of the procedures described, never attempt to bypass the use of any special tool when the procedure described specifies its use. Not only is there a very great risk of personal injury, but expensive damage could be caused to the components involved.

Environmental considerations

When disposing of used engine oil, brake fluid, antifreeze, etc, give due consideration to any detrimental environmental effects. Do not, for instance, pour any of the above liquids down drains into the general sewage system, or onto the ground to soak away. Many local council refuse tips provide a facility for waste oil disposal, as do some garages. If none of these facilities are available, consult your local Environmental Health Department, or the National Rivers Authority, for further advice.

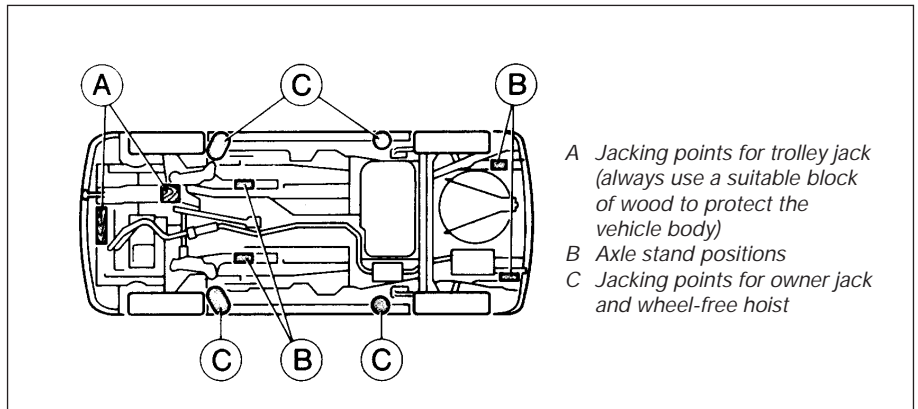
With the universal tightening-up of legislation regarding the emission of environmentally-harmful substances from motor vehicles, most vehicles have tamperproof devices fitted to the main adjustment points of the fuel system. These devices are primarily designed to prevent unqualified persons from adjusting the fuel/air mixture, with the chance of a consequent increase in toxic emissions. If such devices are found during servicing or overhaul, they should, wherever possible, be renewed or refitted in accordance with the manufacturer's requirements or current legislation.



Note: It is antisocial and illegal to dump oil down the drain. To find the location of your local oil recycling bank, call this number free.

The jack supplied with the vehicle tool kit should only be used for changing the roadwheels - see "Wheel changing" at the front of this manual. When jacking up the vehicle to carry out repair or maintenance tasks, a pillar or trolley type jack of suitable lifting capacity must be used, supplemented with axle stands positioned only beneath the appropriate points under the vehicle (see illustration). Note that the vehicle must never be jacked up at the rear under the axle beam.

The maximum kerb weight of the vehicle must not be exceeded when jacking and supporting the vehicle. Do not under any circumstances jack up the rear of the vehicle under the rear axle. **Never** work under, around or near a raised vehicle unless it is adequately supported in at least two places with axle stands.



Underside view of the vehicle showing the jacking point locations

- A Jacking points for trolley jack (always use a suitable block of wood to protect the vehicle body)
- B Axle stand positions
- C Jacking points for owner jack and wheel-free hoist

Buying spare parts

Buying spare parts

Spare parts are available from many sources, including maker's appointed garages, accessory shops, and motor factors. To be sure of obtaining the correct parts, it will sometimes be necessary to quote the vehicle identification number. If possible, it can also be useful to take the old parts along for positive identification. Items such as starter motors and alternators may be available under a service exchange scheme - any parts returned should always be clean.

Our advice regarding spare part sources is as follows.

Officially-appointed garages

This is the best source of parts which are peculiar to your car, and which are not otherwise generally available (eg badges, interior trim, certain body panels, etc). It is also the only place at which you should buy parts if the vehicle is still under warranty.

Accessory shops

These are very good places to buy

materials and components needed for the maintenance of your car (oil, air and fuel filters, spark plugs, light bulbs, drivebelts, oils and greases, brake pads, touch-up paint, etc). Components of this nature sold by a reputable shop are of the same standard as those used by the car manufacturer.

Besides components, these shops also sell tools and general accessories, usually have convenient opening hours, charge lower prices, and can often be found not far from home. Some accessory shops have parts counters where the components needed for almost any repair job can be purchased or ordered.

Motor factors

Good factors will stock all the more important components which wear out comparatively quickly, and can sometimes supply individual components needed for the overhaul of a larger assembly (eg brake seals and hydraulic parts, bearing shells, pistons, valves, alternator brushes). They may also handle work such as cylinder block reboring, crankshaft regrinding and balancing, etc.

Tyre and exhaust specialists

These outlets may be independent, or members of a local or national chain. They frequently offer competitive prices when compared with a main dealer or local garage, but it will pay to obtain several quotes before making a decision. When researching prices, also ask what "extras" may be added - for instance, fitting a new valve and balancing the wheel are both commonly charged on top of the price of a new tyre.

Other sources

Beware of parts or materials obtained from market stalls, car boot sales or similar outlets. Such items are not invariably sub-standard, but there is little chance of compensation if they do prove unsatisfactory. In the case of safety-critical components such as brake pads, there is the risk not only of financial loss but also of an accident causing injury or death.

Second-hand components or assemblies obtained from a car breaker can be a good buy in some circumstances, but this sort of purchase is best made by the experienced DIY mechanic.

Radio/cassette unit anti-theft system - precaution

The radio/cassette unit fitted as standard or optional equipment may be equipped with a built-in security code, to deter thieves. If the power source to the unit is cut, the anti-theft system will activate. Even if the power source is immediately reconnected, the radio/cassette unit will not function until the correct

security code has been entered. Therefore, if you do not know the correct security code for the radio/cassette unit **do not** disconnect either of the battery terminals, or remove the radio/cassette unit from the vehicle.

To enter the correct security code, follow

the instructions provided with the radio/cassette player or vehicle handbook.

If an incorrect code is entered, the unit will become locked, and cannot be operated.

If this happens, or if the security code is lost or forgotten, seek the advice of your Ford dealer.

REF.6 Conversion Factors

Length (distance)

Inches (in)	x 25.4 = Millimetres (mm)	x 0.0394 = Inches (in)
Feet (ft)	x 0.305 = Metres (m)	x 3.281 = Feet (ft)
Miles	x 1.609 = Kilometres (km)	x 0.621 = Miles

Volume (capacity)

Cubic inches (cu in; in ³)	x 16.387 = Cubic centimetres (cc; cm ³)	x 0.061 = Cubic inches (cu in; in ³)
Imperial pints (Imp pt)	x 0.568 = Litres (l)	x 1.76 = Imperial pints (Imp pt)
Imperial quarts (Imp qt)	x 1.137 = Litres (l)	x 0.88 = Imperial quarts (Imp qt)
Imperial quarts (Imp qt)	x 1.201 = US quarts (US qt)	x 0.833 = Imperial quarts (Imp qt)
US quarts (US qt)	x 0.946 = Litres (l)	x 1.057 = US quarts (US qt)
Imperial gallons (Imp gal)	x 4.546 = Litres (l)	x 0.22 = Imperial gallons (Imp gal)
Imperial gallons (Imp gal)	x 1.201 = US gallons (US gal)	x 0.833 = Imperial gallons (Imp gal)
US gallons (US gal)	x 3.785 = Litres (l)	x 0.264 = US gallons (US gal)

Mass (weight)

Ounces (oz)	x 28.35 = Grams (g)	x 0.035 = Ounces (oz)
Pounds (lb)	x 0.454 = Kilograms (kg)	x 2.205 = Pounds (lb)

Force

Ounces-force (ozf; oz)	x 0.278 = Newtons (N)	x 3.6 = Ounces-force (ozf; oz)
Pounds-force (lbf; lb)	x 4.448 = Newtons (N)	x 0.225 = Pounds-force (lbf; lb)
Newtons (N)	x 0.1 = Kilograms-force (kgf; kg)	x 9.81 = Newtons (N)

Pressure

Pounds-force per square inch (psi; lbf/in ² ; lb/in ²)	x 0.070 = Kilograms-force per square centimetre (kgf/cm ² ; kg/cm ²)	x 14.223 = Pounds-force per square inch (psi; lbf/in ² ; lb/in ²)
Pounds-force per square inch (psi; lbf/in ² ; lb/in ²)	x 0.068 = Atmospheres (atm)	x 14.696 = Pounds-force per square inch (psi; lbf/in ² ; lb/in ²)
Pounds-force per square inch (psi; lbf/in ² ; lb/in ²)	x 0.069 = Bars	x 14.5 = Pounds-force per square inch (psi; lbf/in ² ; lb/in ²)
Pounds-force per square inch (psi; lbf/in ² ; lb/in ²)	x 6.895 = Kilopascals (kPa)	x 0.145 = Pounds-force per square inch (psi; lbf/in ² ; lb/in ²)
Kilopascals (kPa)	x 0.01 = Kilograms-force per square centimetre (kgf/cm ² ; kg/cm ²)	x 98.1 = Kilopascals (kPa)
Millibar (mbar)	x 100 = Pascals (Pa)	x 0.01 = Millibar (mbar)
Millibar (mbar)	x 0.0145 = Pounds-force per square inch (psi; lbf/in ² ; lb/in ²)	x 68.947 = Millibar (mbar)
Millibar (mbar)	x 0.75 = Millimetres of mercury (mmHg)	x 1.333 = Millibar (mbar)
Millibar (mbar)	x 0.401 = Inches of water (inH ₂ O)	x 2.491 = Millibar (mbar)
Millimetres of mercury (mmHg)	x 0.535 = Inches of water (inH ₂ O)	x 1.868 = Millimetres of mercury (mmHg)
Inches of water (inH ₂ O)	x 0.036 = Pounds-force per square inch (psi; lbf/in ² ; lb/in ²)	x 27.68 = Inches of water (inH ₂ O)

Torque (moment of force)

Pounds-force inches (lbf in; lb in)	x 1.152 = Kilograms-force centimetre (kgf cm; kg cm)	x 0.868 = Pounds-force inches (lbf in; lb in)
Pounds-force inches (lbf in; lb in)	x 0.113 = Newton metres (Nm)	x 8.85 = Pounds-force inches (lbf in; lb in)
Pounds-force inches (lbf in; lb in)	x 0.083 = Pounds-force feet (lbf ft; lb ft)	x 12 = Pounds-force inches (lbf in; lb in)
Pounds-force feet (lbf ft; lb ft)	x 0.138 = Kilograms-force metres (kgf m; kg m)	x 7.233 = Pounds-force feet (lbf ft; lb ft)
Pounds-force feet (lbf ft; lb ft)	x 1.356 = Newton metres (Nm)	x 0.738 = Pounds-force feet (lbf ft; lb ft)
Newton metres (Nm)	x 0.102 = Kilograms-force metres (kgf m; kg m)	x 9.804 = Newton metres (Nm)

Power

Horsepower (hp)	x 745.7 = Watts (W)	x 0.0013 = Horsepower (hp)
-----------------	---------------------	----------------------------

Velocity (speed)

Miles per hour (miles/hr; mph)	x 1.609 = Kilometres per hour (km/hr; kph)	x 0.621 = Miles per hour (miles/hr; mph)
--------------------------------	--	--

Fuel consumption*

Miles per gallon (mpg)	x 0.354 = Kilometres per litre (km/l)	x 2.825 = Miles per gallon (mpg)
------------------------	---------------------------------------	----------------------------------

Temperature

Degrees Fahrenheit = (°C x 1.8) + 32	Degrees Celsius (Degrees Centigrade; °C) = (°F - 32) x 0.56
--------------------------------------	---

* It is common practice to convert from miles per gallon (mpg) to litres/100 kilometres (l/100km), where mpg x l/100 km = 282

Introduction

A selection of good tools is a fundamental requirement for anyone contemplating the maintenance and repair of a motor vehicle. For the owner who does not possess any, their purchase will prove a considerable expense, offsetting some of the savings made by doing-it-yourself. However, provided that the tools purchased meet the relevant national safety standards and are of good quality, they will last for many years and prove an extremely worthwhile investment.

To help the average owner to decide which tools are needed to carry out the various tasks detailed in this manual, we have compiled three lists of tools under the following headings: *Maintenance and minor repair*, *Repair and overhaul*, and *Special*. Newcomers to practical mechanics should start off with the *Maintenance and minor repair* tool kit, and confine themselves to the simpler jobs around the vehicle. Then, as confidence and experience grow, more difficult tasks can be undertaken, with extra tools being purchased as, and when, they are needed. In this way, a *Maintenance and minor repair* tool kit can be built up into a *Repair and overhaul* tool kit over a considerable period of time, without any major cash outlays. The experienced do-it-yourselfer will have a tool kit good enough for most repair and overhaul procedures, and will add tools from the *Special* category when it is felt that the expense is justified by the amount of use to which these tools will be put.

Maintenance and minor repair tool kit

The tools given in this list should be considered as a minimum requirement if routine maintenance, servicing and minor repair operations are to be undertaken. We recommend the purchase of combination spanners (ring one end, open-ended the other); although more expensive than open-ended ones, they do give the advantages of both types of spanner.

- Combination spanners: 8, 9, 10, 11, 12, 13, 14, 15, 16, 17, 19, 21, 22, 24 & 26 mm
- Adjustable spanner - 35 mm jaw (approx)
- Engine sump/gearbox drain plug key (where applicable)
- Set of feeler gauges
- Spark plug spanner (with rubber insert)
- Spark plug gap adjustment tool
- Brake bleed nipple spanner
- Screwdrivers: Flat blade and cross blade - approx 100 mm long x 6 mm dia
- Combination pliers
- Hacksaw (junior)
- Tyre pump
- Tyre pressure gauge
- Grease gun
- Oil can
- Oil filter removal tool
- Fine emery cloth
- Wire brush (small)
- Funnel (medium size)

Repair and overhaul tool kit

These tools are virtually essential for anyone undertaking any major repairs to a motor vehicle, and are additional to those given in the *Maintenance and minor repair* list. Included in this list is a comprehensive set of sockets. Although these are expensive, they will be found invaluable as they are so versatile - particularly if various drives are included in the set. We recommend the half-inch square-drive type, as this can be used with most proprietary torque wrenches. If you cannot afford a socket set, even bought piecemeal, then inexpensive tubular box spanners are a useful alternative.

The tools in this list will occasionally need to be supplemented by tools from the *Special* list:

- Sockets (or box spanners) to cover range in previous list (including Torx sockets)
- Reversible ratchet drive (for use with sockets) (see illustration)
- Extension piece, 250 mm (for use with sockets)
- Universal joint (for use with sockets)
- Torque wrench (for use with sockets)
- Self-locking grips
- Ball pein hammer
- Soft-faced mallet (plastic/aluminium or rubber)
- Screwdrivers:
 - Flat blade - long & sturdy, short (chubby), and narrow (electrician's) types
 - Cross blade - Long & sturdy, and short (chubby) types
- Pliers:
 - Long-nosed
 - Side cutters (electrician's)
 - Circlip (internal and external)
- Cold chisel - 25 mm
- Scriber
- Scraper
- Centre-punch
- Pin punch
- Hacksaw
- Brake hose clamp
- Brake bleeding kit
- Selection of twist drills



Sockets and reversible ratchet drive

- Steel rule/straight-edge
- Allen keys (inc. splined/Torx type) (see illustrations)
- Selection of files
- Wire brush
- Axle stands
- Jack (strong trolley or hydraulic type)
- Light with extension lead

Special tools

The tools in this list are those which are not used regularly, are expensive to buy, or which need to be used in accordance with their manufacturers' instructions. Unless relatively difficult mechanical jobs are undertaken frequently, it will not be economic to buy many of these tools. Where this is the case, you could consider clubbing together with friends (or joining a motorists' club) to make a joint purchase, or borrowing the tools against a deposit from a local garage or tool hire specialist. It is worth noting that many of the larger DIY superstores now carry a large range of special tools for hire at modest rates.

The following list contains only those tools and instruments freely available to the public, and not those special tools produced by the vehicle manufacturer specifically for its dealer network. You will find occasional references to these manufacturers' special tools in the text of this manual. Generally, an alternative method of doing the job without the vehicle manufacturers' special tool is given. However, sometimes there is no alternative to using them. Where this is the case and the relevant tool cannot be bought or borrowed, you will have to entrust the work to a franchised garage.

- Valve spring compressor (see illustration)
- Valve grinding tool
- Piston ring compressor (see illustration)
- Piston ring removal/installation tool (see illustration)
- Cylinder bore hone (see illustration)
- Balljoint separator
- Coil spring compressors (where applicable)
- Two/three-legged hub and bearing puller (see illustration)



Spline bit set

REF•8 Tools and working facilities



Spline key set



Valve spring compressor



Piston ring compressor



Piston ring removal/installation tool



Cylinder bore hone



Three-legged hub and bearing puller



Micrometer set



Vernier calipers



Dial test indicator and magnetic stand



Compression testing gauge



Clutch plate alignment set



Brake shoe steady spring cup removal tool

- Impact screwdriver
- Micrometer and/or vernier calipers (*see illustrations*)
- Dial gauge (*see illustration*)
- Universal electrical multi-meter
- Cylinder compression gauge (*see illustration*)
- Clutch plate alignment set (*see illustration*)
- Brake shoe steady spring cup removal tool (*see illustration*)
- Bush and bearing removal/installation set (*see illustration*)
- Stud extractors (*see illustration*)
- Tap and die set (*see illustration*)
- Lifting tackle
- Trolley jack

Buying tools

For practically all tools, a tool factor is the best source, since he will have a very comprehensive range compared with the average garage or accessory shop. Having said that, accessory shops often offer excellent quality tools at discount prices, so it pays to shop around.

Remember, you don't have to buy the most expensive items on the shelf, but it is always advisable to steer clear of the very cheap tools. There are plenty of good tools around at

reasonable prices, but always aim to purchase items which meet the relevant national safety standards. If in doubt, ask the proprietor or manager of the shop for advice before making a purchase.

Care and maintenance of tools

Having purchased a reasonable tool kit, it is necessary to keep the tools in a clean and serviceable condition. After use, always wipe off any dirt, grease and metal particles using a clean, dry cloth, before putting the tools away. Never leave them lying around after they have been used. A simple tool rack on the garage or workshop wall for items such as screwdrivers and pliers is a good idea. Store all normal spanners and sockets in a metal box. Any measuring instruments, gauges, meters, etc, must be carefully stored where they cannot be damaged or become rusty.

Take a little care when tools are used. Hammer heads inevitably become marked, and screwdrivers lose the keen edge on their blades from time to time. A little timely attention with emery cloth or a file will soon restore items like this to a good serviceable finish.

Working facilities

Not to be forgotten when discussing tools

is the workshop itself. If anything more than routine maintenance is to be carried out, some form of suitable working area becomes essential.

It is appreciated that many an owner-mechanic is forced by circumstances to remove an engine or similar item without the benefit of a garage or workshop. Having done this, any repairs should always be done under the cover of a roof.

Wherever possible, any dismantling should be done on a clean, flat workbench or table at a suitable working height.

Any workbench needs a vice; one with a jaw opening of 100 mm is suitable for most jobs. As mentioned previously, some clean dry storage space is also required for tools, as well as for any lubricants, cleaning fluids, touch-up paints and so on, which become necessary.

Another item which may be required, and which has a much more general usage, is an electric drill with a chuck capacity of at least 8 mm. This, together with a good range of twist drills, is virtually essential for fitting accessories.

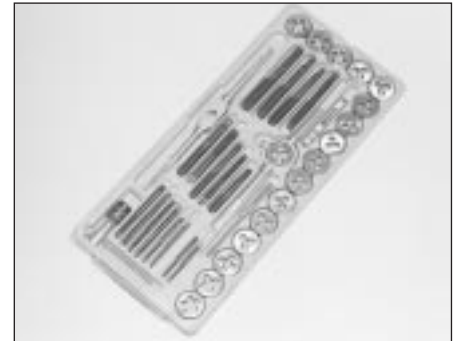
Last, but not least, always keep a supply of old newspapers and clean, lint-free rags available, and try to keep any working area as clean as possible.



Bush and bearing removal/installation set



Stud extractor set



Tap and die set

REF•10 MOT test checks

This is a guide to getting your vehicle through the MOT test. Obviously it will not be possible to examine the vehicle to the same standard as the professional MOT tester. However, working through the following checks will enable you to identify any problem areas before submitting the vehicle for the test.

Where a testable component is in borderline condition, the tester has discretion in deciding whether to pass or fail it. The basis of such discretion is whether the tester would be happy for a close relative or friend to use the vehicle with the component in that condition. If the vehicle presented is clean and evidently well cared for, the tester may be more inclined to pass a borderline component than if the vehicle is scruffy and apparently neglected.

It has only been possible to summarise the test requirements here, based on the regulations in force at the time of printing. Test standards are becoming increasingly stringent, although there are some exemptions for older vehicles. For full details obtain a copy of the Haynes publication *Pass the MOT!* (available from stockists of Haynes manuals).

An assistant will be needed to help carry out some of these checks.



The checks have been sub-divided into four categories, as follows:

1 Checks carried out **FROM THE DRIVER'S SEAT**

2 Checks carried out **WITH THE VEHICLE ON THE GROUND**

3 Checks carried out **WITH THE VEHICLE RAISED AND THE WHEELS FREE TO TURN**

4 Checks carried out on **YOUR VEHICLE'S EXHAUST EMISSION SYSTEM**

1 Checks carried out **FROM THE DRIVER'S SEAT**

Handbrake

Test the operation of the handbrake. Excessive travel (too many clicks) indicates incorrect brake or cable adjustment.

Check that the handbrake cannot be released by tapping the lever sideways. Check the security of the lever mountings.



Footbrake

Depress the brake pedal and check that it does not creep down to the floor, indicating a master cylinder fault. Release the pedal, wait a few seconds, then depress it again. If the pedal travels nearly to the floor before firm resistance is felt, brake adjustment or repair is necessary. If the pedal feels spongy, there is air in the hydraulic system which must be removed by bleeding.



Check that the brake pedal is secure and in good condition. Check also for signs of fluid leaks on the pedal, floor or carpets, which would indicate failed seals in the brake master cylinder.

Check the servo unit (when applicable) by operating the brake pedal several times, then keeping the pedal depressed and starting the engine. As the engine starts, the pedal will move down slightly. If not, the vacuum hose or the servo itself may be faulty.

Steering wheel and column

Examine the steering wheel for fractures or looseness of the hub, spokes or rim.

Move the steering wheel from side to side and then up and down. Check that the steering wheel is not loose on the column, indicating wear or a loose retaining nut. Continue moving the steering wheel as before, but also turn it slightly from left to right.

Check that the steering wheel is not loose on the column, and that there is no abnormal



movement of the steering wheel, indicating wear in the column support bearings or couplings.

Windscreen and mirrors

The windscreen must be free of cracks or other significant damage within the driver's field of view. (Small stone chips are acceptable.) Rear view mirrors must be secure, intact, and capable of being adjusted.





Seat belts and seats

Note: The following checks are applicable to all seat belts, front and rear.

- Examine the webbing of all the belts (including rear belts if fitted) for cuts, serious fraying or deterioration. Fasten and unfasten each belt to check the buckles. If applicable, check the retracting mechanism. Check the security of all seat belt mountings accessible from inside the vehicle.
- The front seats themselves must be securely attached and the backrests must lock in the upright position.

Doors

- Both front doors must be able to be opened and closed from outside and inside, and must latch securely when closed.

2 Checks carried out
WITH THE VEHICLE ON THE GROUND

Vehicle identification

- Number plates must be in good condition, secure and legible, with letters and numbers correctly spaced – spacing at (A) should be twice that at (B).



- The VIN plate and/or homologation plate must be legible.



Electrical equipment

- Switch on the ignition and check the operation of the horn.
- Check the windscreen washers and wipers, examining the wiper blades; renew damaged or perished blades. Also check the operation of the stop-lights.



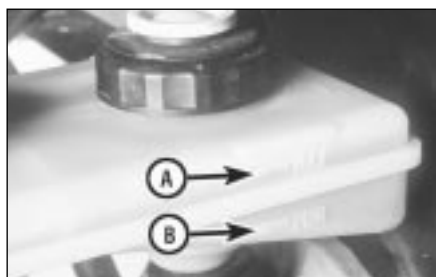
- Check the operation of the sidelights and number plate lights. The lenses and reflectors must be secure, clean and undamaged.
- Check the operation and alignment of the headlights. The headlight reflectors must not be tarnished and the lenses must be undamaged.
- Switch on the ignition and check the operation of the direction indicators (including the instrument panel tell-tale) and the hazard warning lights. Operation of the sidelights and stop-lights must not affect the indicators - if it does, the cause is usually a bad earth at the rear light cluster.
- Check the operation of the rear foglight(s), including the warning light on the instrument panel or in the switch.

Footbrake

- Examine the master cylinder, brake pipes and servo unit for leaks, loose mountings, corrosion or other damage.



- The fluid reservoir must be secure and the fluid level must be between the upper (A) and lower (B) markings.



- Inspect both front brake flexible hoses for cracks or deterioration of the rubber. Turn the steering from lock to lock, and ensure that the hoses do not contact the wheel, tyre, or any part of the steering or suspension mechanism. With the brake pedal firmly depressed, check the hoses for bulges or leaks under pressure.



Steering and suspension

- Have your assistant turn the steering wheel from side to side slightly, up to the point where the steering gear just begins to transmit this movement to the roadwheels. Check for excessive free play between the steering wheel and the steering gear, indicating wear or insecurity of the steering column joints, the column-to-steering gear coupling, or the steering gear itself.
- Have your assistant turn the steering wheel more vigorously in each direction, so that the roadwheels just begin to turn. As this is done, examine all the steering joints, linkages, fittings and attachments. Renew any component that shows signs of wear or damage. On vehicles with power steering, check the security and condition of the steering pump, drivebelt and hoses.
- Check that the vehicle is standing level, and at approximately the correct ride height.

Shock absorbers

- Depress each corner of the vehicle in turn, then release it. The vehicle should rise and then settle in its normal position. If the vehicle continues to rise and fall, the shock absorber is defective. A shock absorber which has seized will also cause the vehicle to fail.



Exhaust system

Start the engine. With your assistant holding a rag over the tailpipe, check the entire system for leaks. Repair or renew leaking sections.



3 Checks carried out
**WITH THE VEHICLE RAISED
AND THE WHEELS FREE TO
TURN**

Jack up the front and rear of the vehicle, and securely support it on axle stands. Position the stands clear of the suspension assemblies. Ensure that the wheels are clear of the ground and that the steering can be turned from lock to lock.

Steering mechanism

Have your assistant turn the steering from lock to lock. Check that the steering turns smoothly, and that no part of the steering mechanism, including a wheel or tyre, fouls any brake hose or pipe or any part of the body structure.

Examine the steering rack rubber gaiters for damage or insecurity of the retaining clips. If power steering is fitted, check for signs of damage or leakage of the fluid hoses, pipes or connections. Also check for excessive stiffness or binding of the steering, a missing split pin or locking device, or severe corrosion of the body structure within 30 cm of any steering component attachment point.



Front and rear suspension and wheel bearings

Starting at the front right-hand side, grasp the roadwheel at the 3 o'clock and 9 o'clock positions and shake it vigorously. Check for free play or insecurity at the wheel bearings, suspension balljoints, or suspension mountings, pivots and attachments.

Now grasp the wheel at the 12 o'clock and 6 o'clock positions and repeat the previous inspection. Spin the wheel, and check for roughness or tightness of the front wheel bearing.



If excess free play is suspected at a component pivot point, this can be confirmed by using a large screwdriver or similar tool and levering between the mounting and the component attachment. This will confirm whether the wear is in the pivot bush, its retaining bolt, or in the mounting itself (the bolt holes can often become elongated).



Carry out all the above checks at the other front wheel, and then at both rear wheels.

Springs and shock absorbers

Examine the suspension struts (when applicable) for serious fluid leakage, corrosion, or damage to the casing. Also check the security of the mounting points.

If coil springs are fitted, check that the spring ends locate in their seats, and that the spring is not corroded, cracked or broken.

If leaf springs are fitted, check that all leaves are intact, that the axle is securely attached to each spring, and that there is no deterioration of the spring eye mountings, bushes, and shackles.

The same general checks apply to vehicles fitted with other suspension types, such as torsion bars, hydraulic displacer units, etc. Ensure that all mountings and attachments are secure, that there are no signs of excessive wear, corrosion or damage, and (on hydraulic types) that there are no fluid leaks or damaged pipes.

Inspect the shock absorbers for signs of serious fluid leakage. Check for wear of the mounting bushes or attachments, or damage to the body of the unit.

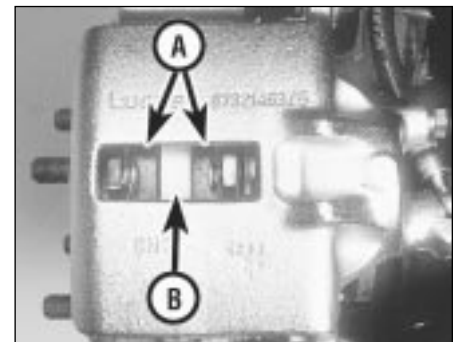
Driveshafts (fwd vehicles only)

Rotate each front wheel in turn and inspect the constant velocity joint gaiters for splits or damage. Also check that each driveshaft is straight and undamaged.



Braking system

If possible without dismantling, check brake pad wear and disc condition. Ensure that the friction lining material has not worn excessively, (A) and that the discs are not fractured, pitted, scored or badly worn (B).



Examine all the rigid brake pipes underneath the vehicle, and the flexible hose(s) at the rear. Look for corrosion, chafing or insecurity of the pipes, and for signs of bulging under pressure, chafing, splits or deterioration of the flexible hoses.

Look for signs of fluid leaks at the brake calipers or on the brake backplates. Repair or renew leaking components.

Slowly spin each wheel, while your assistant depresses and releases the footbrake. Ensure that each brake is operating and does not bind when the pedal is released.



- Examine the handbrake mechanism, checking for frayed or broken cables, excessive corrosion, or wear or insecurity of the linkage. Check that the mechanism works on each relevant wheel, and releases fully, without binding.
- It is not possible to test brake efficiency without special equipment, but a road test can be carried out later to check that the vehicle pulls up in a straight line.

Fuel and exhaust systems

- Inspect the fuel tank (including the filler cap), fuel pipes, hoses and unions. All components must be secure and free from leaks.
- Examine the exhaust system over its entire length, checking for any damaged, broken or missing mountings, security of the retaining clamps and rust or corrosion.



Wheels and tyres

- Examine the sidewalls and tread area of each tyre in turn. Check for cuts, tears, lumps, bulges, separation of the tread, and exposure of the ply or cord due to wear or damage. Check that the tyre bead is correctly seated on the wheel rim, that the valve is sound and



- properly seated, and that the wheel is not distorted or damaged.
- Check that the tyres are of the correct size for the vehicle, that they are of the same size and type on each axle, and that the pressures are correct.
- Check the tyre tread depth. The legal minimum at the time of writing is 1.6 mm over at least three-quarters of the tread width. Abnormal tread wear may indicate incorrect front wheel alignment.

Body corrosion

- Check the condition of the entire vehicle structure for signs of corrosion in load-bearing areas. (These include chassis box sections, side sills, cross-members, pillars, and all suspension, steering, braking system and seat belt mountings and anchorages.) Any corrosion which has seriously reduced the thickness of a load-bearing area is likely to cause the vehicle to fail. In this case professional repairs are likely to be needed.
- Damage or corrosion which causes sharp or otherwise dangerous edges to be exposed will also cause the vehicle to fail.

4 Checks carried out on YOUR VEHICLE'S EXHAUST EMISSION SYSTEM

Petrol models

- Have the engine at normal operating temperature, and make sure that it is in good tune (ignition system in good order, air filter element clean, etc).
- Before any measurements are carried out, raise the engine speed to around 2500 rpm, and hold it at this speed for 20 seconds. Allow

the engine speed to return to idle, and watch for smoke emissions from the exhaust tailpipe. If the idle speed is obviously much too high, or if dense blue or clearly-visible black smoke comes from the tailpipe for more than 5 seconds, the vehicle will fail. As a rule of thumb, blue smoke signifies oil being burnt (engine wear) while black smoke signifies unburnt fuel (dirty air cleaner element, or other carburettor or fuel system fault).

- An exhaust gas analyser capable of measuring carbon monoxide (CO) and hydrocarbons (HC) is now needed. If such an instrument cannot be hired or borrowed, a local garage may agree to perform the check for a small fee.

CO emissions (mixture)

- At the time of writing, the maximum CO level at idle is 3.5% for vehicles first used after August 1986 and 4.5% for older vehicles. From January 1996 a much tighter limit (around 0.5%) applies to catalyst-equipped vehicles first used from August 1992. If the CO level cannot be reduced far enough to pass the test (and the fuel and ignition systems are otherwise in good condition) then the carburettor is badly worn, or there is some problem in the fuel injection system or catalytic converter (as applicable).

HC emissions

- With the CO emissions within limits, HC emissions must be no more than 1200 ppm (parts per million). If the vehicle fails this test at idle, it can be re-tested at around 2000 rpm; if the HC level is then 1200 ppm or less, this counts as a pass.
- Excessive HC emissions can be caused by oil being burnt, but they are more likely to be due to unburnt fuel.

Diesel models

- The only emission test applicable to Diesel engines is the measuring of exhaust smoke density. The test involves accelerating the engine several times to its maximum unloaded speed.

Note: *It is of the utmost importance that the engine timing belt is in good condition before the test is carried out.*

- Excessive smoke can be caused by a dirty air cleaner element. Otherwise, professional advice may be needed to find the cause.

Engine

- Engine backfires
- Engine difficult to start when cold
- Engine difficult to start when hot
- Engine fails to rotate when attempting to start
- Engine hesitates on acceleration
- Engine idles erratically
- Engine lacks power
- Engine misfires at idle speed
- Engine misfires throughout the driving speed range
- Engine noises
- Engine rotates, but will not start
- Engine runs-on after switching off
- Engine stalls
- Engine starts, but stops immediately
- Oil pressure warning light illuminated with engine running
- Starter motor noisy or excessively-rough in engagement

Cooling system

- Corrosion
- External coolant leakage
- Internal coolant leakage
- Overcooling
- Overheating

Fuel and exhaust systems

- Excessive fuel consumption
- Excessive noise or fumes from exhaust system
- Fuel leakage and/or fuel odour

Clutch

- Clutch fails to disengage (unable to select gears)
- Clutch slips (engine speed increases, with no increase in vehicle speed)
- Judder as clutch is engaged
- Noise when depressing or releasing clutch pedal
- Pedal travels to floor - no pressure or very little resistance

Manual transmission

- Jumps out of gear
- Lubricant leaks
- Noisy in neutral with engine running
- Noisy in one particular gear
- Vibration

Automatic transmission

- Engine will not start in any gear, or starts in gears other than Park or Neutral
- Fluid leakage
- General gear selection problems
- Transmission fluid brown, or has burned smell
- Transmission slips, shifts roughly, is noisy, or has no drive in forward or reverse gears
- Transmission will not downshift (kickdown) with accelerator fully depressed

Driveshafts

- Clicking or knocking noise on turns (at slow speed on full-lock)
- Vibration when accelerating or decelerating

Braking system

- Brake pedal feels spongy when depressed
- Brakes binding
- Excessive brake pedal effort required to stop vehicle
- Excessive brake pedal travel
- Judder felt through brake pedal or steering wheel when braking
- Noise (grinding or high-pitched squeal) when brakes applied
- Rear wheels locking under normal braking
- Vehicle pulls to one side under braking

Suspension and steering systems

- Excessive pitching and/or rolling around corners, or during braking
- Excessive play in steering
- Excessively-stiff steering
- Lack of power assistance
- Tyre wear excessive
- Vehicle pulls to one side
- Wandering or general instability
- Wheel wobble and vibration

Electrical system

- Battery will not hold a charge for more than a few days
- Electric windows inoperative, or unsatisfactory in operation
- Horn inoperative, or unsatisfactory in operation
- Ignition warning light fails to come on
- Ignition warning light remains illuminated with engine running
- Instrument readings inaccurate or erratic
- Lights inoperative
- Windscreen/tailgate washers inoperative, or unsatisfactory in operation
- Windscreen/tailgate wipers inoperative, or unsatisfactory in operation

Introduction

The vehicle owner who does his or her own maintenance according to the recommended service schedules should not have to use this section of the manual very often. Modern component reliability is such that, provided those items subject to wear or deterioration are inspected or renewed at the specified intervals, sudden failure is comparatively rare. Faults do not usually just happen as a result of sudden failure, but develop over a period of time. Major mechanical failures in particular

are usually preceded by characteristic symptoms over hundreds or even thousands of miles. Those components which do occasionally fail without warning are often small and easily carried in the vehicle.

With any fault-finding, the first step is to decide where to begin investigations. Sometimes this is obvious, but on other occasions, a little detective work will be necessary. The owner who makes half a dozen haphazard adjustments or

replacements may be successful in curing a fault (or its symptoms), but will be none the wiser if the fault recurs, and ultimately may have spent more time and money than was necessary. A calm and logical approach will be found to be more satisfactory in the long run. Always take into account any warning signs or abnormalities that may have been noticed in the period preceding the fault - power loss, high or low gauge readings, unusual smells, etc - and remember that

failure of components such as fuses or spark plugs may only be pointers to some underlying fault.

The pages which follow provide an easy reference guide to the more common problems which may occur during the operation of the vehicle. These problems and their possible causes are grouped under headings denoting various components or systems, such as Engine, Cooling system, etc. The Chapter and/or Section which deals with the problem is also shown in brackets. Whatever the fault, certain basic principles apply. These are as follows:

Verify the fault. This is simply a matter of being sure that you know what the symptoms

are before starting work. This is particularly important if you are investigating a fault for someone else, who may not have described it very accurately.

Don't overlook the obvious. For example, if the vehicle won't start, is there petrol in the tank? (Don't take anyone else's word on this particular point, and don't trust the fuel gauge either!) If an electrical fault is indicated, look for loose or broken wires before digging out the test gear.

Cure the disease, not the symptom. Substituting a flat battery with a fully-charged one will get you off the hard shoulder, but if the underlying cause is not attended to, the new battery will go the same way. Similarly,

changing oil-fouled spark plugs for a new set will get you moving again, but remember that the reason for the fouling (if it wasn't simply an incorrect grade of plug) will have to be established and corrected.

Don't take anything for granted. Particularly, don't forget that a "new" component may itself be defective (especially if it's been rattling around in the boot for months), and don't leave components out of a fault diagnosis sequence just because they are new or recently fitted. When you do finally diagnose a difficult fault, you'll probably realise that all the evidence was there from the start.

Engine

Engine fails to rotate when attempting to start

- Battery terminal connections loose or corroded (Chapter 5A).
- Battery discharged or faulty (Chapter 5A).
- Broken, loose or disconnected wiring in the starting circuit (Chapter 5A).
- Defective starter solenoid or switch (Chapter 5A).
- Defective starter motor (Chapter 5A).
- Flywheel ring gear or starter pinion teeth loose or broken (Chapters 2A, 2B, 2C or 5A).
- Engine earth strap broken or disconnected (Chapter 5A).
- Automatic transmission not in Park/Neutral position, or starter inhibitor switch faulty (Chapter 7B).

Engine rotates, but will not start

- Fuel tank empty.
- Battery discharged (engine rotates slowly) (Chapter 5A).
- Battery terminal connections loose or corroded (Chapter 5A).
- Ignition components damp or damaged (Chapters 1 and 5B).
- Broken, loose or disconnected wiring in the ignition circuit (Chapters 1 and 5B).
- Worn, faulty or incorrectly-gapped spark plugs (Chapter 1).
- Major mechanical failure (eg camshaft drive) (Chapters 2A, 2B or 2C).

Engine difficult to start when cold

- Battery discharged (Chapter 5A).
- Battery terminal connections loose or corroded (Chapter 5A).
- Worn, faulty or incorrectly-gapped spark plugs (Chapter 1).
- Other ignition system fault (Chapters 1 and 5B).
- Engine management system fault (Chapters 1, 4A, 4B, 4C, 4D, 4E or 5B).
- Low cylinder compressions (Chapters 2A, 2B or 2C).

Engine difficult to start when hot

- Air filter element dirty or clogged (Chapter 1).
- Engine management system fault (Chapters 1, 4A, 4B, 4C, 4D, 4E or 5B).
- Low cylinder compressions (Chapters 2A, 2B or 2C).
- Faulty hydraulic tappet(s) (Chapters 2B or 2C).

Starter motor noisy or excessively-rough in engagement

- Flywheel ring gear or starter pinion teeth loose or broken (Chapters 2A, 2B, 2C or 5A).
- Starter motor mounting bolts loose or missing (Chapter 5A).
- Starter motor internal components worn or damaged (Chapter 5A).

Engine starts but stops immediately

- Loose or faulty electrical connections in the ignition circuit (Chapters 1 and 5B).
- Engine management system fault (Chapters 1, 4A, 4B, 4C, 4D, 4E or 5B).
- Vacuum leak at the inlet manifold (Chapters 1, 4A, 4B, 4C, 4D or 4E).

Engine idles erratically

- Engine management system fault (Chapters 1, 4A, 4B, 4C, 4D, 4E or 5B).
- Air filter element clogged (Chapter 1).
- Vacuum leak at the inlet manifold or associated hoses (Chapters 1, 4A, 4B, 4C, 4D or 4E).
- Worn, faulty or incorrectly-gapped spark plugs (Chapter 1).
- Incorrect valve clearances (Chapter 2A).
- Faulty hydraulic tappet(s) (Chapters 2B or 2C).
- Uneven or low cylinder compressions (Chapters 2A, 2B or 2C).
- Camshaft lobes worn (Chapters 2A, 2B or 2C).
- Timing chain and sprockets worn (Chapter 2A).
- Timing belt incorrectly-tensioned (Chapters 2B or 2C).

Engine misfires at idle speed

- Worn, faulty or incorrectly-gapped spark plugs (Chapter 1).
- Faulty spark plug HT leads (Chapter 1).
- Engine management system fault (Chapters 1, 4A, 4B, 4C, 4D, 4E or 5B).
- Vacuum leak at the inlet manifold or associated hoses (Chapters 1, 4A, 4B, 4C, 4D or 4E).
- Incorrect valve clearances (Chapter 2A).
- Faulty hydraulic tappet(s) (Chapters 2B or 2C).
- Uneven or low cylinder compressions (Chapters 2A, 2B and 2C).
- Disconnected, leaking or perished crankcase ventilation hoses (Chapters 1 and 4E).

Engine misfires throughout the driving speed range

- Fuel filter choked (Chapter 1).
- Fuel pump faulty or delivery pressure low (Chapters 4A, 4B, 4C or 4D).
- Fuel tank vent blocked or fuel pipes restricted (Chapters 4A, 4B, 4C, 4D or 4E).
- Vacuum leak at the inlet manifold or associated hoses (Chapters 1, 4A, 4B, 4C, 4D or 4E).
- Worn, faulty or incorrectly-gapped spark plugs (Chapter 1).
- Faulty spark plug HT leads (Chapter 1).
- Faulty ignition coil (Chapter 5B).
- Engine management system fault (Chapters 1, 4A, 4B, 4C, 4D, 4E or 5B).
- Uneven or low cylinder compressions (Chapters 2A, 2B or 2C).

Engine (continued)

Engine hesitates on acceleration

- Worn, faulty or incorrectly-gapped spark plugs (Chapter 1).
- Engine management system fault (Chapters 1, 4A, 4B, 4C, 4D, 4E or 5B).
- Vacuum leak at the inlet manifold or associated hoses (Chapters 1, 4A, 4B, 4C, 4D, 4E or 5B).

Engine stalls

- Engine management system fault (Chapters 1, 4A, 4B, 4C, 4D, 4E, or 5B).
- Vacuum leak at the inlet manifold or associated hoses (Chapters 1, 4A, 4B, 4C, 4D or 4E).
- Fuel filter choked (Chapter 1).
- Fuel pump faulty or delivery pressure low (Chapters 4A, 4B, 4C or 4D).
- Fuel tank vent blocked or fuel pipes restricted (Chapters 4A, 4B, 4C, 4D or 4E).

Engine lacks power

- Engine management system fault (Chapters 1, 4A, 4B, 4C, 4D, 4E or 5B).
- Timing chain or belt incorrectly fitted or incorrectly tensioned (Chapters 2A, 2B or 2C).
- Fuel filter choked (Chapter 1).
- Fuel pump faulty or delivery pressure low (Chapters 4A, 4B, 4C or 4D).
- Uneven or low cylinder compressions (Chapters 2A, 2B or 2C).
- Worn, faulty or incorrectly-gapped spark plugs (Chapter 1).
- Vacuum leak at the inlet manifold or associated hoses (Chapters 1, 4A, 4B, 4C, 4D or 4E).
- Brakes binding (Chapters 1 and 9).
- Clutch slipping (Chapter 6).
- Automatic transmission fluid level incorrect (Chapter 1).

Oil pressure warning light illuminated with engine running

- Low oil level or incorrect oil grade (Chapter 1).
- Faulty oil pressure warning light switch (Chapters 2A, 2B or 2C).
- Worn engine bearings and/or oil pump (Chapters 2A, 2B, 2C or 2D).
- High engine operating temperature (Chapter 3).
- Oil pressure relief valve defective (Chapters 2A, 2B or 2C).
- Oil pick-up strainer clogged (Chapters 2A, 2B or 2C).

Cooling system

Overheating

- Insufficient coolant in system (Chapter 1).
- Thermostat faulty (Chapter 3).
- Radiator core blocked or grille restricted (Chapter 3).
- Radiator electric cooling fan(s) or coolant temperature sensor faulty Chapter 3).
- Engine management system fault (Chapters 1, 4A, 4B, 4C, 4D, 4E or 5B).
- Pressure cap faulty (Chapter 3).
- Auxiliary drivebelt worn or slipping (Chapter 1).
- Inaccurate coolant temperature gauge sender (Chapter 3).
- Airlock in cooling system (Chapter 1).

Overcooling

- Thermostat faulty (Chapter 3).
- Inaccurate coolant temperature gauge sender (Chapter 3).

Engine backfires

- Engine management system fault (Chapters 1, 4A, 4B, 4C, 4D, 4E or 5B).
- Timing chain or belt incorrectly fitted or incorrectly tensioned (Chapters 2A, 2B or 2C).
- Vacuum leak at the inlet manifold or associated hoses (Chapters 1, 4A, 4B, 4C, 4D or 4E).

Engine runs-on after switching off

- Idle speed excessively high (Chapters 4A, 4B, 4C or 4D).
- Engine management system fault (Chapters 1, 4A, 4B, 4C, 4D, 4E or 5B).
- Excessive carbon build-up in engine (Chapters 2A, 2B or 2C).
- High engine operating temperature (Chapter 3).

Engine noises

Pre-ignition (pink) or knocking during acceleration or under load

- Incorrect grade of fuel (Chapters 4A, 4B, 4C or 4D).
- Vacuum leak at the inlet manifold or associated hoses (Chapters 1, 4A, 4B, 4C, 4D or 4E).
- Excessive carbon build-up in engine (Chapters 2A, 2B or 2C).

Whistling or wheezing noises

- Leaking inlet manifold gasket (Chapters 4A, 4B, 4C, 4D).
- Leaking exhaust manifold gasket or downpipe-to-manifold joint (Chapter 4E).
- Leaking vacuum hose (Chapters 1, 4A, 4B, 4C, 4D, 4E or 9).
- Blowing cylinder head gasket (Chapters 2A, 2B or 2C).

Tapping or rattling noises

- Incorrect valve clearance adjustment (Chapter 2A).
- Faulty hydraulic tappet(s) (Chapters 2B or 2C).
- Worn valve gear or camshaft (Chapters 2A, 2B, 2C or 2D).
- Worn timing chain, belt or tensioner (Chapters 2A, 2B or 2C).
- Ancillary component fault (water pump, alternator, etc) (Chapters 3 and 5A).

Knocking or thumping noises

- Worn big-end bearings (regular heavy knocking, perhaps less under load) Chapter 2D).
- Worn main bearings (rumbling and knocking, perhaps worsening under load) Chapter 2D).
- Piston slap (most noticeable when cold) (Chapter 2D).
- Ancillary component fault (water pump, alternator, etc) (Chapters 3 and 5A).

External coolant leakage

- Deteriorated or damaged hoses or hose clips (Chapter 1).
- Radiator core or heater matrix leaking (Chapter 3).
- Pressure cap faulty (Chapter 3).
- Water pump seal leaking (Chapter 3).
- Boiling due to overheating (Chapter 3).
- Core plug leaking (Chapter 2D).

Internal coolant leakage

- Leaking cylinder head gasket (Chapters 2A, 2B or 2C).
- Cracked cylinder head or cylinder bore (Chapter 2D).

Corrosion

- Infrequent draining and flushing (Chapter 1).
- Incorrect antifreeze mixture, or inappropriate antifreeze type (Chapters 1 and 3).

Fuel and exhaust systems

Excessive fuel consumption

- Unsympathetic driving style, or adverse conditions.
- Air filter element dirty or clogged (Chapter 1).
- Engine management system fault (Chapters 1, 4A, 4B, 4C, 4D, 4E or 5B).
- Tyres under-inflated (*"Weekly Checks"*).

Fuel leakage and/or fuel odour

- Damaged or corroded fuel tank, pipes or connections (Chapter 1).
- Charcoal canister and/or connecting pipes leaking (Chapters 1 and 4E).

Excessive noise or fumes from exhaust system

- Leaking exhaust system or manifold joints (Chapters 1 or 4E).
- Leaking, corroded or damaged silencers or pipe (Chapters 1 or 4E).
- Broken mountings, causing body or suspension contact (Chapters 1 or 4E).

Clutch

Pedal travels to floor - no pressure or very little resistance

- Broken clutch cable (Chapter 6).
- Faulty clutch automatic adjuster (Chapter 6).
- Broken clutch release bearing or fork (Chapter 6).
- Broken diaphragm spring in clutch pressure plate (Chapter 6).

Clutch fails to disengage (unable to select gears)

- Faulty clutch automatic adjuster (Chapter 6).
- Clutch disc sticking on transmission input shaft splines (Chapter 6).
- Clutch disc sticking to flywheel or pressure plate (Chapter 6).
- Faulty pressure plate assembly (Chapter 6).
- Clutch release mechanism worn or incorrectly assembled (Chapter 6).

Clutch slips (engine speed increases, with no increase in vehicle speed)

- Faulty clutch automatic adjuster (Chapter 6).
- Clutch disc linings excessively worn (Chapter 6).
- Clutch disc linings contaminated with oil or grease (Chapter 6).
- Faulty pressure plate or weak diaphragm spring (Chapter 6).

Judder as clutch is engaged

- Clutch disc linings contaminated with oil or grease (Chapter 6).
- Clutch disc linings excessively worn (Chapter 6).
- Clutch cable sticking or frayed (Chapter 6).
- Faulty or distorted pressure plate or diaphragm spring (Chapter 6).
- Worn or loose engine/transmission mountings (Chapters 2A, 2B or 2C).
- Clutch disc hub or transmission input shaft splines worn (Chapter 6).

Noise when depressing or releasing clutch pedal

- Worn clutch release bearing (Chapter 6).
- Worn or dry clutch pedal bushes (Chapter 6).
- Faulty pressure plate assembly (Chapter 6).
- Pressure plate diaphragm spring broken (Chapter 6).
- Broken clutch disc cushioning springs (Chapter 6).

Manual transmission

Noisy in neutral with engine running

- Input shaft bearings worn (noise apparent with clutch pedal released, but not when depressed) (Chapter 7A).*
- Clutch release bearing worn (noise apparent with clutch pedal depressed, possibly less when released) (Chapter 6).

Noisy in one particular gear

- Worn, damaged or chipped gear teeth (Chapter 7A).*

Difficulty engaging gears

- Clutch fault (Chapter 6).
- Worn or damaged gear linkage (Chapter 7A).
- Incorrectly-adjusted gear linkage (Chapter 7A).
- Worn synchroniser assemblies (Chapter 7A).*

Vibration

- Lack of oil (Chapter 1).
- Worn bearings (Chapter 7A).*

Jumps out of gear

- Worn or damaged gear linkage (Chapter 7A).
- Incorrectly-adjusted gear linkage (Chapter 7A).
- Worn synchroniser assemblies (Chapter 7A).*
- Worn selector forks (Chapter 7A).*

Lubricant leaks

- Leaking differential side gear oil seal (Chapter 7A).
- Leaking housing joint (Chapter 7A).*
- Leaking input shaft oil seal (Chapter 7A).*
- Leaking selector shaft oil seal (Chapter 7A).
- Leaking speedometer drive pinion O-ring (Chapter 7A).

** Although the corrective action necessary to remedy the symptoms described is beyond the scope of the home mechanic, the above information should be helpful in isolating the cause of the condition, so that the owner can communicate clearly with a professional mechanic.*

Automatic transmission

Note: Due to the complexity of the automatic transmission, it is difficult for the home mechanic to properly diagnose and service this unit. For problems other than the following, the vehicle should be taken to a dealer service department or automatic transmission specialist.

Fluid leakage

- Automatic transmission fluid is usually deep red in colour. Fluid leaks should not be confused with engine oil, which can easily be blown onto the transmission by airflow.
- To determine the source of a leak, first remove all built-up dirt and grime from the transmission housing and surrounding areas, using a degreasing agent, or by steam-cleaning. Drive the vehicle at low speed, so airflow will not blow the leak far from its source. Raise and support the vehicle, and determine where the leak is coming from. The following are common areas of leakage:
 - a) Transmission fluid sump (Chapters 1 and 7B).
 - b) Dipstick tube (Chapters 1 and 7B).
 - c) Transmission-to-fluid cooler pipes/unions (Chapter 7B).
 - d) Speedometer drive pinion O-ring.
 - e) Differential output fluid seals (Chapter 7B).

Transmission fluid brown, or has burned smell

- Transmission fluid level low, or fluid in need of renewal (Chapter 1).

Engine will not start in any gear, or starts in gears other than Park or Neutral

- Starter inhibitor switch faulty (Chapter 7B).
- Incorrect selector cable adjustment (Chapter 7B).

Braking system

Note: Before assuming that a brake problem exists, make sure that the tyres are in good condition and correctly inflated, that the front wheel alignment is correct, and that the vehicle is not loaded with weight in an unequal manner. Apart from checking the condition of all pipe and hose connections, any faults occurring on the Anti-lock Braking System (ABS) should be referred to a Ford dealer for diagnosis.

Vehicle pulls to one side under braking

- Worn, defective, damaged or contaminated front or rear brake pads/shoes on one side (Chapter 1).
- Seized or partially-seized front or rear brake caliper/wheel cylinder piston (Chapter 9).
- A mixture of brake pad/shoe lining materials fitted between sides (Chapter 1).
- Brake caliper mounting bolts loose (Chapter 9).
- Rear brake backplate mounting bolts loose (Chapter 9).
- Worn or damaged steering or suspension components (Chapter 10).

Noise (grinding or high-pitched squeal) when brakes applied

- Brake pad or shoe friction lining material worn down to metal backing (Chapter 1).
- Excessive corrosion of brake disc or drum (may be apparent after the vehicle has been standing for some time) (Chapter 1).

Excessive brake pedal travel

- Inoperative rear brake self-adjust mechanism (Chapter 9).
- Faulty master cylinder (Chapter 9).
- Air in hydraulic system (Chapter 9).

Rear wheels locking under normal braking

- Rear brake shoe linings contaminated (Chapter 1).
- Faulty brake pressure regulator (Chapter 9).

General gear selection problems

- Chapter 7B deals with checking and adjusting the selector cable on automatic transmissions. The following are common problems which may be caused by a poorly-adjusted cable:
 - a) Engine starting in gears other than Park or Neutral.
 - b) Indicator on gear selector lever pointing to a gear other than the one actually being used.
 - c) Vehicle moves when in Park or Neutral.
 - d) Poor gear shift quality or erratic gear changes.
 Refer to Chapter 7B for the selector cable adjustment procedure.

Transmission will not downshift (kickdown) with accelerator pedal fully depressed

- Low transmission fluid level (Chapter 1).
- Incorrect selector cable adjustment (Chapter 7B).
- Engine management system fault (Chapters 1, 4A, 4B, 4C, 4D, 4E or 5B).

Transmission slips, is noisy, or has no drive in forward or reverse gears

- There are many probable causes for the above problems, but the home mechanic should be concerned with only one possibility - fluid level. Before taking the vehicle to a dealer or transmission specialist, check the fluid level and condition of the fluid as described in Chapter 1. Correct the fluid level as necessary, or change the fluid if needed. If the problem persists, professional help will be necessary.

Brake pedal feels spongy when depressed

- Air in hydraulic system (Chapter 9).
- Deteriorated flexible rubber brake hoses (Chapter 9).
- Master cylinder mounting nuts loose (Chapter 9).
- Faulty master cylinder (Chapter 9).

Excessive brake pedal effort required to stop vehicle

- Faulty vacuum servo unit (Chapter 9).
- Disconnected, damaged or insecure brake servo vacuum hose (Chapter 9).
- Primary or secondary hydraulic circuit failure (Chapter 9).
- Seized brake caliper or wheel cylinder piston(s) (Chapter 9).
- Brake pads or brake shoes incorrectly fitted (Chapter 9).
- Incorrect grade of brake pads or brake shoes fitted (Chapter 1).
- Brake pads or brake shoe linings contaminated (Chapter 1).

Judder felt through brake pedal or steering wheel when braking

- Excessive run-out or distortion of front discs or rear drums (Chapter 9).
- Brake pad or brake shoe linings worn (Chapter 1).
- Brake caliper or rear brake backplate mounting bolts loose (Chapter 9).
- Wear in suspension or steering components or mountings (Chapter 10).

Brakes binding

- Seized brake caliper or wheel cylinder piston(s) (Chapter 9).
- Faulty handbrake mechanism (Chapter 9).
- Faulty master cylinder (Chapter 9).

Driveshafts

Clicking or knocking noise on turns (at slow speed on full-lock)

- Lack of constant velocity joint lubricant (Chapter 8).
- Worn outer constant velocity joint (Chapter 8).

Vibration when accelerating or decelerating

- Worn inner constant velocity joint (Chapter 8).
- Bent or distorted driveshaft (Chapter 8).

Suspension and steering systems

Note: Before diagnosing suspension or steering faults, be sure that the trouble is not due to incorrect tyre pressures, mixtures of tyre types, or binding brakes.

Vehicle pulls to one side

- Faulty or damaged tyre (*"Weekly Checks"*).
- Excessive wear in suspension or steering components (Chapter 10).
- Incorrect front wheel alignment (Chapter 10).
- Accident damage to steering or suspension components (Chapter 10).

Wheel wobble and vibration

- Front roadwheels out of balance (vibration felt mainly through the steering wheel) (Chapter 1).
- Rear roadwheels out of balance (vibration felt throughout the vehicle) Chapter 1).
- Roadwheels damaged or distorted (Chapter 1).
- Faulty or damaged tyre (*"Weekly Checks"*).
- Worn steering or suspension joints, bushes or components (Chapter 10).
- Roadwheel nuts loose (Chapter 1).
- Wear in driveshaft joint, or loose driveshaft nut (vibration worst when under load) (Chapter 8).

Excessive pitching and/or rolling around corners, or during braking

- Defective shock absorbers (Chapter 10).
- Broken or weak coil spring and/or suspension component (Chapter 10).
- Worn or damaged anti-roll bar or mountings (Chapter 10).

Wandering or general instability

- Incorrect front wheel alignment (Chapter 10).
- Worn steering or suspension joints, bushes or components (Chapter 10).
- Tyres out of balance (*"Weekly Checks"*).
- Faulty or damaged tyre (*"Weekly Checks"*).
- Roadwheel nuts loose (Chapter 1).
- Defective shock absorbers (Chapter 10).

Excessively-stiff steering

- Lack of steering gear lubricant (Chapter 10).
- Seized track-rod end balljoint or suspension balljoint (Chapter 10).
- Broken or slipping auxiliary drivebelt (Chapter 1).
- Incorrect front wheel alignment (Chapter 10).
- Steering rack or column bent or damaged (Chapter 10).

Excessive play in steering

- Worn steering column universal joint(s) or flexible coupling (Chapter 10).
- Worn steering track-rod end balljoints (Chapter 10).
- Worn rack-and-pinion steering gear (Chapter 10).
- Worn steering or suspension joints, bushes or components (Chapter 10).

Lack of power assistance

- Broken or slipping auxiliary drivebelt (Chapter 1).
- Incorrect power steering fluid level (Chapter 1).
- Restriction in power steering fluid hoses (Chapter 10).
- Faulty power steering pump (Chapter 10).
- Faulty rack-and-pinion steering gear (Chapter 10).

Tyre wear excessive

Tyres worn on inside or outside edges

- Tyres under-inflated (wear on both edges) (*"Weekly Checks"*).
- Incorrect camber or castor angles (wear on one edge only) (Chapter 10).
- Worn steering or suspension joints, bushes or components (Chapter 10).
- Excessively-hard cornering.
- Accident damage.

Tyre treads exhibit feathered edges

- Incorrect toe setting (Chapter 10).

Tyres worn in centre of tread

- Tyres over-inflated (*"Weekly Checks"*).

Tyres worn on inside and outside edges

- Tyres under-inflated (*"Weekly Checks"*).

Tyres worn unevenly

- Tyres out of balance (*"Weekly Checks"*).
- Excessive wheel or tyre run-out (Chapter 1).
- Worn shock absorbers (Chapter 10).
- Faulty tyre (*"Weekly Checks"*).

Electrical system

Note: For problems associated with the starting system, refer to the faults listed under "Engine" earlier in this Section.

Battery will not hold a charge for more than a few days

- Battery defective internally (Chapter 5A).
- Battery terminal connections loose or corroded (Chapter 5A).
- Auxiliary drivebelt worn or incorrectly-adjusted (Chapter 1).
- Alternator not charging at correct output (Chapter 5A).
- Alternator or voltage regulator faulty (Chapter 5A).
- Short-circuit causing continual battery drain (Chapters 5A and 12).

Ignition (no-charge) warning light remains illuminated with engine running

- Auxiliary drivebelt broken, worn, or incorrectly-adjusted (Chapter 1).
- Alternator brushes worn, sticking, or dirty (Chapter 5A).
- Alternator brush springs weak or broken (Chapter 5A).
- Internal fault in alternator or voltage regulator (Chapter 5A).
- Broken, disconnected, or loose wiring in charging circuit (Chapter 5A).

Ignition (no-charge) warning light fails to come on

- Warning light bulb blown (Chapter 12).
- Broken, disconnected, or loose wiring in warning light circuit (Chapters 5A and 12).
- Alternator faulty (Chapter 5A).

Lights inoperative

- Bulb blown (Chapter 12).
- Corrosion of bulb or bulbholder contacts (Chapter 12).
- Blown fuse (Chapter 12).
- Faulty relay (Chapter 12).
- Broken, loose, or disconnected wiring (Chapter 12).
- Faulty switch (Chapter 12).

Instrument readings inaccurate or erratic

Instrument readings increase with engine speed

- Faulty voltage regulator (Chapter 12).

Fuel or temperature gauges give no reading

- Faulty gauge sender unit (Chapters 3 or 4A, 4B, 4C, or 4D).
- Wiring open-circuit (Chapter 12).
- Faulty gauge (Chapter 12).

Fuel or temperature gauges give continuous maximum reading

- Faulty gauge sender unit (Chapters 3 or 4A, 4B, 4C, or 4D).
- Wiring short-circuit (Chapter 12).
- Faulty gauge (Chapter 12).

Horn inoperative, or unsatisfactory in operation

Horn fails to operate

- Blown fuse (Chapter 12).
- Cable or cable connections loose, broken or disconnected (Chapter 12).
- Faulty horn (Chapter 12).

Horn emits intermittent or unsatisfactory sound

- Cable connections loose (Chapter 12).
- Horn mountings loose (Chapter 12).
- Faulty horn (Chapter 12).

Horn operates all the time

- Horn push either earthed or stuck down (Chapter 12).
- Horn cable to horn push earthed (Chapter 12).

Windscreen/tailgate wipers inoperative or unsatisfactory in operation

Wipers fail to operate, or operate very slowly

- Wiper blades stuck to screen, or linkage seized or binding (Chapter 12).
- Blown fuse (Chapter 12).
- Cable or cable connections loose, broken or disconnected (Chapter 12).
- Faulty relay (Chapter 12).
- Faulty wiper motor (Chapter 12).

Wiper blades sweep over too large or too small an area of the glass

- Wiper arms incorrectly-positioned on spindles (Chapter 1).
- Excessive wear of wiper linkage (Chapter 1).
- Wiper motor or linkage mountings loose or insecure (Chapter 12).

Wiper blades fail to clean the glass effectively

- Wiper blade rubbers worn or perished ("Weekly Checks").
- Wiper arm tension springs broken, or arm pivots seized (Chapter 1).
- Insufficient windscreen washer additive to adequately remove road film ("Weekly Checks").

Windscreen/tailgate washers inoperative, or unsatisfactory in operation

One or more washer jets inoperative

- Blocked washer jet ("Weekly Checks" or Chapter 1).
- Disconnected, kinked or restricted fluid hose (Chapter 1).
- Insufficient fluid in washer reservoir ("Weekly Checks").

Washer pump fails to operate

- Broken or disconnected wiring or connections (Chapter 12).
- Blown fuse (Chapter 12).
- Faulty washer switch (Chapter 12).
- Faulty washer pump (Chapter 12).

Washer pump runs for some time before fluid is emitted from jets

- Faulty one-way valve in fluid supply hose (Chapter 12).

Electric windows inoperative, or unsatisfactory in operation

Window glass will only move in one direction

- Faulty switch (Chapter 12).

Window glass slow to move

- Incorrectly-adjusted door glass guide channels (Chapter 11).
- Regulator seized or damaged, or in need of lubrication (Chapter 11).
- Door internal components or trim fouling regulator (Chapter 11).
- Faulty motor (Chapter 12).

Window glass fails to move

- Incorrectly-adjusted door glass guide channels (Chapter 11).
- Blown fuse (Chapter 12).
- Faulty relay (Chapter 12).
- Broken or disconnected wiring or connections (Chapter 12).
- Faulty motor (Chapter 12).

Notes

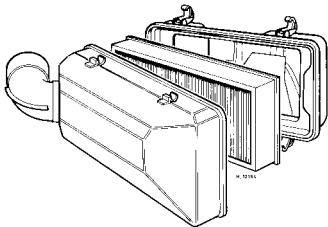
A

ABS (Anti-lock brake system) A system, usually electronically controlled, that senses incipient wheel lockup during braking and relieves hydraulic pressure at wheels that are about to skid.

Air bag An inflatable bag hidden in the steering wheel (driver's side) or the dash or glovebox (passenger side). In a head-on collision, the bags inflate, preventing the driver and front passenger from being thrown forward into the steering wheel or windscreen.

Air cleaner A metal or plastic housing, containing a filter element, which removes dust and dirt from the air being drawn into the engine.

Air filter element The actual filter in an air cleaner system, usually manufactured from pleated paper and requiring renewal at regular intervals.

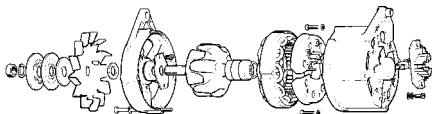


Air filter

Allen key A hexagonal wrench which fits into a recessed hexagonal hole.

Alligator clip A long-nosed spring-loaded metal clip with meshing teeth. Used to make temporary electrical connections.

Alternator A component in the electrical system which converts mechanical energy from a drivebelt into electrical energy to charge the battery and to operate the starting system, ignition system and electrical accessories.



Alternator (exploded view)

Ampere (amp) A unit of measurement for the flow of electric current. One amp is the amount of current produced by one volt acting through a resistance of one ohm.

Anaerobic sealer A substance used to prevent bolts and screws from loosening. Anaerobic means that it does not require oxygen for activation. The Loctite brand is widely used.

Antifreeze A substance (usually ethylene glycol) mixed with water, and added to a vehicle's cooling system, to prevent freezing of the coolant in winter. Antifreeze also contains chemicals to inhibit corrosion and the formation of rust and other deposits that

would tend to clog the radiator and coolant passages and reduce cooling efficiency.

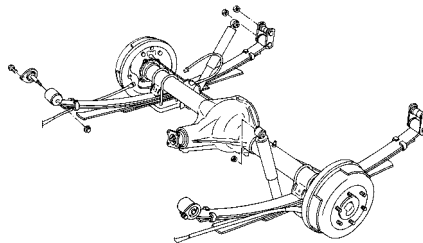
Anti-seize compound A coating that reduces the risk of seizing on fasteners that are subjected to high temperatures, such as exhaust manifold bolts and nuts.



Anti-seize compound

Asbestos A natural fibrous mineral with great heat resistance, commonly used in the composition of brake friction materials. Asbestos is a health hazard and the dust created by brake systems should never be inhaled or ingested.

Axle A shaft on which a wheel revolves, or which revolves with a wheel. Also, a solid beam that connects the two wheels at one end of the vehicle. An axle which also transmits power to the wheels is known as a live axle.



Axle assembly

Axleshaft A single rotating shaft, on either side of the differential, which delivers power from the final drive assembly to the drive wheels. Also called a driveshaft or a halfshaft.

B

Ball bearing An anti-friction bearing consisting of a hardened inner and outer race with hardened steel balls between two races.

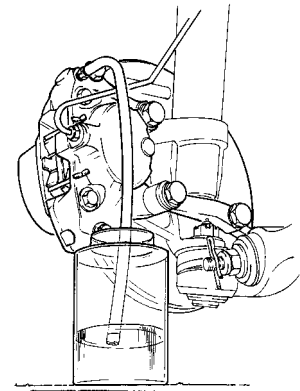


Bearing

Bearing The curved surface on a shaft or in a bore, or the part assembled into either, that permits relative motion between them with minimum wear and friction.

Big-end bearing The bearing in the end of the connecting rod that's attached to the crankshaft.

Bleed nipple A valve on a brake wheel cylinder, caliper or other hydraulic component that is opened to purge the hydraulic system of air. Also called a bleed screw.



Brake bleeding

Brake bleeding Procedure for removing air from lines of a hydraulic brake system.

Brake disc The component of a disc brake that rotates with the wheels.

Brake drum The component of a drum brake that rotates with the wheels.

Brake linings The friction material which contacts the brake disc or drum to retard the vehicle's speed. The linings are bonded or riveted to the brake pads or shoes.

Brake pads The replaceable friction pads that pinch the brake disc when the brakes are applied. Brake pads consist of a friction material bonded or riveted to a rigid backing plate.

Brake shoe The crescent-shaped carrier to which the brake linings are mounted and which forces the lining against the rotating drum during braking.

Braking systems For more information on braking systems, consult the *Haynes Automotive Brake Manual*.

Breaker bar A long socket wrench handle providing greater leverage.

Bulkhead The insulated partition between the engine and the passenger compartment.

C

Caliper The non-rotating part of a disc-brake assembly that straddles the disc and carries the brake pads. The caliper also contains the hydraulic components that cause the pads to pinch the disc when the brakes are applied. A caliper is also a measuring tool that can be set to measure inside or outside dimensions of an object.

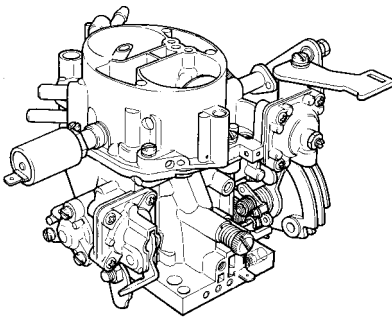
Camshaft A rotating shaft on which a series of cam lobes operate the valve mechanisms. The camshaft may be driven by gears, by sprockets and chain or by sprockets and a belt.

Canister A container in an evaporative emission control system; contains activated charcoal granules to trap vapours from the fuel system.



Canister

Carburettor A device which mixes fuel with air in the proper proportions to provide a desired power output from a spark ignition internal combustion engine.



Carburettor

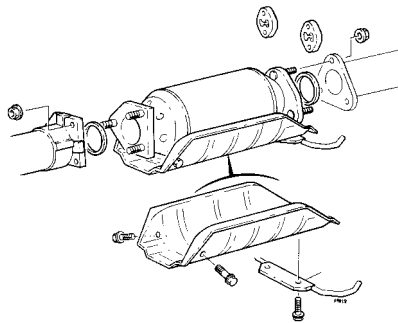
Castellated Resembling the parapets along the top of a castle wall. For example, a castellated balljoint stud nut.



Castellated nut

Castor In wheel alignment, the backward or forward tilt of the steering axis. Castor is positive when the steering axis is inclined rearward at the top.

Catalytic converter A silencer-like device in the exhaust system which converts certain pollutants in the exhaust gases into less harmful substances.



Catalytic converter

Circlip A ring-shaped clip used to prevent endwise movement of cylindrical parts and shafts. An internal circlip is installed in a groove in a housing; an external circlip fits into a groove on the outside of a cylindrical piece such as a shaft.

Clearance The amount of space between two parts. For example, between a piston and a cylinder, between a bearing and a journal, etc.

Coil spring A spiral of elastic steel found in various sizes throughout a vehicle, for example as a springing medium in the suspension and in the valve train.

Compression Reduction in volume, and increase in pressure and temperature, of a gas, caused by squeezing it into a smaller space.

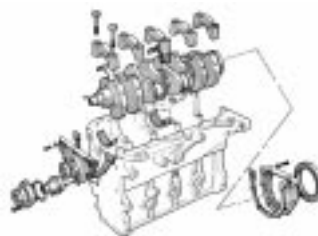
Compression ratio The relationship between cylinder volume when the piston is at top dead centre and cylinder volume when the piston is at bottom dead centre.

Constant velocity (CV) joint A type of universal joint that cancels out vibrations caused by driving power being transmitted through an angle.

Core plug A disc or cup-shaped metal device inserted in a hole in a casting through which core was removed when the casting was formed. Also known as a freeze plug or expansion plug.

Crankcase The lower part of the engine block in which the crankshaft rotates.

Crankshaft The main rotating member, or shaft, running the length of the crankcase, with offset "throws" to which the connecting rods are attached.



Crankshaft assembly

Crocodile clip See Alligator clip

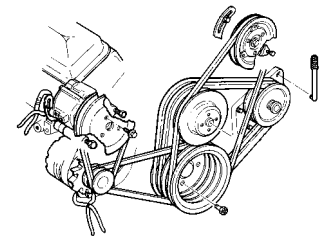
D

Diagnostic code Code numbers obtained by accessing the diagnostic mode of an engine management computer. This code can be used to determine the area in the system where a malfunction may be located.

Disc brake A brake design incorporating a rotating disc onto which brake pads are squeezed. The resulting friction converts the energy of a moving vehicle into heat.

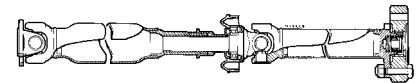
Double-overhead cam (DOHC) An engine that uses two overhead camshafts, usually one for the intake valves and one for the exhaust valves.

Drivebelt(s) The belt(s) used to drive accessories such as the alternator, water pump, power steering pump, air conditioning compressor, etc. off the crankshaft pulley.



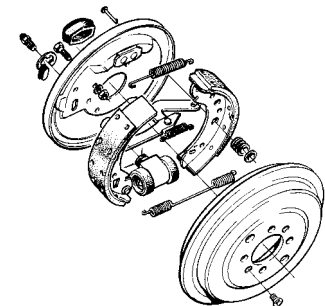
Accessory drivebelts

Driveshaft Any shaft used to transmit motion. Commonly used when referring to the axleshafts on a front wheel drive vehicle.



Driveshaft

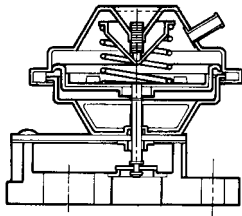
Drum brake A type of brake using a drum-shaped metal cylinder attached to the inner surface of the wheel. When the brake pedal is pressed, curved brake shoes with friction linings press against the inside of the drum to slow or stop the vehicle.



Drum brake assembly

E

EGR valve A valve used to introduce exhaust gases into the intake air stream.



EGR valve

Electronic control unit (ECU) A computer which controls (for instance) ignition and fuel injection systems, or an anti-lock braking system. For more information refer to the *Haynes Automotive Electrical and Electronic Systems Manual*.

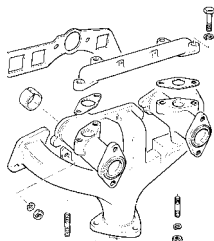
Electronic Fuel Injection (EFI) A computer controlled fuel system that distributes fuel through an injector located in each intake port of the engine.

Emergency brake A braking system, independent of the main hydraulic system, that can be used to slow or stop the vehicle if the primary brakes fail, or to hold the vehicle stationary even though the brake pedal isn't depressed. It usually consists of a hand lever that actuates either front or rear brakes mechanically through a series of cables and linkages. Also known as a handbrake or parking brake.

Endfloat The amount of lengthwise movement between two parts. As applied to a crankshaft, the distance that the crankshaft can move forward and back in the cylinder block.

Engine management system (EMS) A computer controlled system which manages the fuel injection and the ignition systems in an integrated fashion.

Exhaust manifold A part with several passages through which exhaust gases leave the engine combustion chambers and enter the exhaust pipe.



Exhaust manifold

F

Fan clutch A viscous (fluid) drive coupling device which permits variable engine fan speeds in relation to engine speeds.

Feeler blade A thin strip or blade of hardened steel, ground to an exact thickness, used to check or measure clearances between parts.



Feeler blade

Firing order The order in which the engine cylinders fire, or deliver their power strokes, beginning with the number one cylinder.

Flywheel A heavy spinning wheel in which energy is absorbed and stored by means of momentum. On cars, the flywheel is attached to the crankshaft to smooth out firing impulses.

Free play The amount of travel before any action takes place. The "looseness" in a linkage, or an assembly of parts, between the initial application of force and actual movement. For example, the distance the brake pedal moves before the pistons in the master cylinder are actuated.

Fuse An electrical device which protects a circuit against accidental overload. The typical fuse contains a soft piece of metal which is calibrated to melt at a predetermined current flow (expressed as amps) and break the circuit.

Fusible link A circuit protection device consisting of a conductor surrounded by heat-resistant insulation. The conductor is smaller than the wire it protects, so it acts as the weakest link in the circuit. Unlike a blown fuse, a failed fusible link must frequently be cut from the wire for replacement.

G

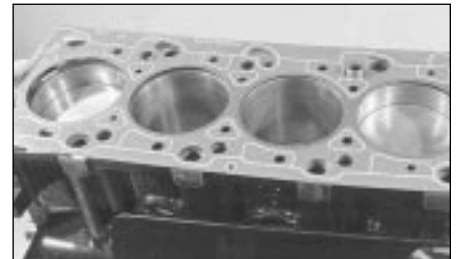
Gap The distance the spark must travel in jumping from the centre electrode to the side



Adjusting spark plug gap

electrode in a spark plug. Also refers to the spacing between the points in a contact breaker assembly in a conventional points-type ignition, or to the distance between the reluctor or rotor and the pickup coil in an electronic ignition.

Gasket Any thin, soft material - usually cork, cardboard, asbestos or soft metal - installed between two metal surfaces to ensure a good seal. For instance, the cylinder head gasket seals the joint between the block and the cylinder head.



Gasket

Gauge An instrument panel display used to monitor engine conditions. A gauge with a movable pointer on a dial or a fixed scale is an analogue gauge. A gauge with a numerical readout is called a digital gauge.

H

Halfshaft A rotating shaft that transmits power from the final drive unit to a drive wheel, usually when referring to a live rear axle.

Harmonic balancer A device designed to reduce torsion or twisting vibration in the crankshaft. May be incorporated in the crankshaft pulley. Also known as a vibration damper.

Hone An abrasive tool for correcting small irregularities or differences in diameter in an engine cylinder, brake cylinder, etc.

Hydraulic tappet A tappet that utilises hydraulic pressure from the engine's lubrication system to maintain zero clearance (constant contact with both camshaft and valve stem). Automatically adjusts to variation in valve stem length. Hydraulic tappets also reduce valve noise.

I

Ignition timing The moment at which the spark plug fires, usually expressed in the number of crankshaft degrees before the piston reaches the top of its stroke.

Inlet manifold A tube or housing with passages through which flows the air-fuel mixture (carburettor vehicles and vehicles with throttle body injection) or air only (port fuel-injected vehicles) to the port openings in the cylinder head.

J

Jump start Starting the engine of a vehicle with a discharged or weak battery by attaching jump leads from the weak battery to a charged or helper battery.

L

Load Sensing Proportioning Valve (LSPV) A brake hydraulic system control valve that works like a proportioning valve, but also takes into consideration the amount of weight carried by the rear axle.

Locknut A nut used to lock an adjustment nut, or other threaded component, in place. For example, a locknut is employed to keep the adjusting nut on the rocker arm in position.

Lockwasher A form of washer designed to prevent an attaching nut from working loose.

M

MacPherson strut A type of front suspension system devised by Earle MacPherson at Ford of England. In its original form, a simple lateral link with the anti-roll bar creates the lower control arm. A long strut - an integral coil spring and shock absorber - is mounted between the body and the steering knuckle. Many modern so-called MacPherson strut systems use a conventional lower A-arm and don't rely on the anti-roll bar for location.

Multimeter An electrical test instrument with the capability to measure voltage, current and resistance.

N

NOx Oxides of Nitrogen. A common toxic pollutant emitted by petrol and diesel engines at higher temperatures.

O

Ohm The unit of electrical resistance. One volt applied to a resistance of one ohm will produce a current of one amp.

Ohmmeter An instrument for measuring electrical resistance.

O-ring A type of sealing ring made of a special rubber-like material; in use, the O-ring is compressed into a groove to provide the sealing action.



O-ring

Overhead cam (ohc) engine An engine with the camshaft(s) located on top of the cylinder head(s).

Overhead valve (ohv) engine An engine with the valves located in the cylinder head, but with the camshaft located in the engine block.

Oxygen sensor A device installed in the engine exhaust manifold, which senses the oxygen content in the exhaust and converts this information into an electric current. Also called a Lambda sensor.

P

Phillips screw A type of screw head having a cross instead of a slot for a corresponding type of screwdriver.

Plastigage A thin strip of plastic thread, available in different sizes, used for measuring clearances. For example, a strip of Plastigage is laid across a bearing journal. The parts are assembled and dismantled; the width of the crushed strip indicates the clearance between journal and bearing.



Plastigage

Propeller shaft The long hollow tube with universal joints at both ends that carries power from the transmission to the differential on front-engined rear wheel drive vehicles.

Proportioning valve A hydraulic control valve which limits the amount of pressure to the rear brakes during panic stops to prevent wheel lock-up.

R

Rack-and-pinion steering A steering system with a pinion gear on the end of the steering shaft that mates with a rack (think of a geared wheel opened up and laid flat). When the steering wheel is turned, the pinion turns, moving the rack to the left or right. This movement is transmitted through the track rods to the steering arms at the wheels.

Radiator A liquid-to-air heat transfer device designed to reduce the temperature of the coolant in an internal combustion engine cooling system.

Refrigerant Any substance used as a heat transfer agent in an air-conditioning system. R-12 has been the principle refrigerant for many years; recently, however, manufacturers have begun using R-134a, a non-CFC substance that is considered less harmful to

the ozone in the upper atmosphere.

Rocker arm A lever arm that rocks on a shaft or pivots on a stud. In an overhead valve engine, the rocker arm converts the upward movement of the pushrod into a downward movement to open a valve.

Rotor In a distributor, the rotating device inside the cap that connects the centre electrode and the outer terminals as it turns, distributing the high voltage from the coil secondary winding to the proper spark plug. Also, that part of an alternator which rotates inside the stator. Also, the rotating assembly of a turbocharger, including the compressor wheel, shaft and turbine wheel.

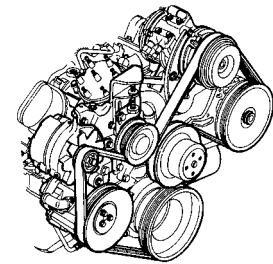
Runout The amount of wobble (in-and-out movement) of a gear or wheel as it's rotated. The amount a shaft rotates "out-of-true." The out-of-round condition of a rotating part.

S

Sealant A liquid or paste used to prevent leakage at a joint. Sometimes used in conjunction with a gasket.

Sealed beam lamp An older headlight design which integrates the reflector, lens and filaments into a hermetically-sealed one-piece unit. When a filament burns out or the lens cracks, the entire unit is simply replaced.

Serpentine drivebelt A single, long, wide accessory drivebelt that's used on some newer vehicles to drive all the accessories, instead of a series of smaller, shorter belts. Serpentine drivebelts are usually tensioned by an automatic tensioner.



Serpentine drivebelt

Shim Thin spacer, commonly used to adjust the clearance or relative positions between two parts. For example, shims inserted into or under bucket tappets control valve clearances. Clearance is adjusted by changing the thickness of the shim.

Slide hammer A special puller that screws into or hooks onto a component such as a shaft or bearing; a heavy sliding handle on the shaft bottoms against the end of the shaft to knock the component free.

Sprocket A tooth or projection on the periphery of a wheel, shaped to engage with a chain or drivebelt. Commonly used to refer to the sprocket wheel itself.

Starter inhibitor switch On vehicles with an

REF•26 Glossary of technical terms

automatic transmission, a switch that prevents starting if the vehicle is not in Neutral or Park.

Strut See MacPherson strut.

T

Tappet A cylindrical component which transmits motion from the cam to the valve stem, either directly or via a pushrod and rocker arm. Also called a cam follower.

Thermostat A heat-controlled valve that regulates the flow of coolant between the cylinder block and the radiator, so maintaining optimum engine operating temperature. A thermostat is also used in some air cleaners in which the temperature is regulated.

Thrust bearing The bearing in the clutch assembly that is moved in to the release levers by clutch pedal action to disengage the clutch. Also referred to as a release bearing.

Timing belt A toothed belt which drives the camshaft. Serious engine damage may result if it breaks in service.

Timing chain A chain which drives the camshaft.

Toe-in The amount the front wheels are closer together at the front than at the rear. On rear wheel drive vehicles, a slight amount of toe-in is usually specified to keep the front wheels running parallel on the road by offsetting other forces that tend to spread the wheels apart.

Toe-out The amount the front wheels are closer together at the rear than at the front. On

front wheel drive vehicles, a slight amount of toe-out is usually specified.

Tools For full information on choosing and using tools, refer to the *Haynes Automotive Tools Manual*.

Tracer A stripe of a second colour applied to a wire insulator to distinguish that wire from another one with the same colour insulator.

Tune-up A process of accurate and careful adjustments and parts replacement to obtain the best possible engine performance.

Turbocharger A centrifugal device, driven by exhaust gases, that pressurises the intake air. Normally used to increase the power output from a given engine displacement, but can also be used primarily to reduce exhaust emissions (as on VW's "Umwelt" Diesel engine).

U

Universal joint or U-joint A double-pivoted connection for transmitting power from a driving to a driven shaft through an angle. A U-joint consists of two Y-shaped yokes and a cross-shaped member called the spider.

V

Valve A device through which the flow of liquid, gas, vacuum, or loose material in bulk may be started, stopped, or regulated by a movable part that opens, shuts, or partially

obstructs one or more ports or passageways. A valve is also the movable part of such a device.

Valve clearance The clearance between the valve tip (the end of the valve stem) and the rocker arm or tappet. The valve clearance is measured when the valve is closed.

Vernier caliper A precision measuring instrument that measures inside and outside dimensions. Not quite as accurate as a micrometer, but more convenient.

Viscosity The thickness of a liquid or its resistance to flow.

Volt A unit for expressing electrical "pressure" in a circuit. One volt that will produce a current of one ampere through a resistance of one ohm.

W

Welding Various processes used to join metal items by heating the areas to be joined to a molten state and fusing them together. For more information refer to the *Haynes Automotive Welding Manual*.

Wiring diagram A drawing portraying the components and wires in a vehicle's electrical system, using standardised symbols. For more information refer to the *Haynes Automotive Electrical and Electronic Systems Manual*.

Note: References throughout this index relate to Chapter•page number

A

Accelerator cable - 4A•4, 4B•4, 4C•4, 4D•3
 Accelerator pedal - 4A•4, 4B•4, 4C•4, 4D•3
 Accelerator pump - 4A•8
 Acknowledgements - 0•4
 Aerial - 12•16
 Air bags - 0•5, 12•17
 Air cleaner - 1•22, 1•23, 4A•3, 4B•4, 4C•3, 4D•3, 4E•5
 Air temperature control system - 1•23, 4B•8, 4C•7, 4D•6
 Alarm system - 12•17, REF•5
 Alternator - 5A•4
 Anti-lock braking system (ABS) - 9•11, 9•14, 9•16
 Anti-roll bar - 10•7, 10•11
 Anti-theft alarm system - 12•17, REF•5
 Antifreeze - 0•12, 0•17, 1•21, 1•22, 3•2
 Asbestos - 0•5
 ATF - 0•17, 1•18, 1•24
 Automatic choke - 4A•16, 4A•17
 Automatic transmission - 2A•10, 2B•13, 2C•15, 2D•6, 2D•8, 2D•10, 7B•1 *et seq*, 12•6, 12•8
 Automatic transmission fault finding - REF•18
 Automatic transmission fluid - 0•17, 1•18, 1•24
 Auxiliary lights - 12•7, 12•10
 Axle - 10•10

B

Backfire - REF•16
 Backrest - 11•17
 Ballast resistor - 4B•9
 Balljoint - 10•17
 Battery - 0•5, 0•14, 5A•2, 5A•3
 Battery fault - REF•20
 Big-end bearings - 2D•21, 2D•24
 Bleeding braking system - 9•10, 9•11
 Bleeding power steering - 10•17
 Body electrical systems - 1•18, 12•1 *et seq*, REF•11
 Body electrical system fault finding - 5A•2, 12•3, REF•20
 Bodywork and fittings - 1•18, 11•1 *et seq*, REF•13
 Bonnet - 1•18, 11•4, 11•5
 Boot - 1•16
 Boots - 8•3, 8•4, 10•15
 Brake fluid - 0•13, 0•17, 1•26, 12•6
 Braking system - 1•17, 9•1 *et seq*, 12•6, REF•10, REF•11, REF•12
 Braking system fault finding - REF•18

Bulbs - 0•16, 12•7, 12•8
 Bumpers - 11•7, 11•8
 Burning - 0•5
 Buying spare parts - REF•5

C

Cables - 4A•4, 4B•4, 4C•4, 4D•3, 6•1, 7B•2, 9•12, 9•13, 12•12
 Calipers - 9•3
 Camshaft - 2B•6, 2B•7, 2C•7, 2C•8, 2D•16
 Camshaft position sensor - 4D•6
 Carburettor - 4A•7, 4A•8, 4A•9, 4A•11, 4A•13, 4A•14, 4A•15, 4A•17, 4A•18
 Carpets - 11•2
 Cassette player - 12•15, REF•5
 Catalytic converter - 4E•2, 4E•5
 Centre console - 11•20, 12•5
 Charcoal canister - 4E•6
 Charging system - 5A•3
 Choke - 4A•4, 4A•16, 4A•17
 Cigarette lighter - 12•9, 12•12
 Clock - 12•8, 12•12
 Clutch - 1•18, 6•1 *et seq*
 Clutch fault finding - REF•17
 Coil - 5B•4
 Compression test - 2A•3, 2B•3, 2C•3
 Connecting rods - 2D•17, 2D•24, 2D•25
 Console - 11•20, 12•5
 Contents - 0•2
 Conversion factors - REF•6
 Coolant - 0•12, 0•17, 1•21, 1•22, 3•2
 Coolant pump - 3•7
 Coolant temperature sensor - 4B•8, 4C•7, 4D•6
 Cooling, heating and ventilation systems - 3•1 *et seq*
 Cooling system fault finding - REF•16
 Courtesy light - 12•6, 12•9
 Crankcase - 2D•19
 Crankcase ventilation system - 1•24
 Crankshaft - 2A•6, 2A•9, 2B•4, 2B•6, 2B•12, 2C•4, 2C•7, 2C•14, 2D•18, 2D•22, 2D•24
 Crankshaft position sensor - 4B•8, 4C•7, 4D•6, 5B•5
 Crossmember - 10•7
 Crushing - 0•5
 Cushion - 11•17
 CV joint - 1•16, 8•3, 8•4
 CVH and PTE engine in-car repair procedures - 2B•1 *et seq*
 Cylinder block - 2D•19
 Cylinder head - 2A•4, 2A•5, 2B•4, 2B•9, 2C•3, 2C•10, 2D•12, 2D•14, 2D•15

D

Dents in bodywork - 11•2
 Depressurising fuel system - 4B•3, 4C•3, 4D•2
 Differential - 7A•3, 7B•3
 Dimensions - REF•1
 Direction indicators - 12•7, 12•9, 12•10
 Discs - 9•4
 Distributor - 1•20, 5B•5, 5B•6, 5B•7
 Doors - 1•18, 11•6, 11•9, 11•10, 11•11, 11•13, 11•14, 11•15, REF•11
 Drip rail moulding - 11•5
 Drivebelt - 1•11
 Driveplate - 2B•14, 2C•16
 Driveshafts - 1•16, 8•1 *et seq*, REF•12
 Driveshafts fault finding - REF•19
 Drivetrain - 1•18
 Drums - 9•4

E

Earth fault - 12•4
 EEC IV engine management module - 4C•6
 Electric shock - 0•5
 Electric windows - 11•14, 12•7, 12•15, REF•20
 Emblems - 11•5
 Emission control system - 1•24, 4E•1
 Engine fault finding - REF•15, REF•16, REF•18
 Engine oil - 0•12, 0•17, 1•9
 Engine removal and overhaul procedures - 2D•1 *et seq*
 Environmental considerations - REF•4
 Evaporative emission control systems - 1•24, 4E•2, 4E•5
 Exhaust and emission control systems - 4E•1 *et seq*
 Exhaust emission checks - REF•13
 Exhaust manifold - 4E•3
 Exhaust system - 1•16, 4E•1, 4E•2, REF•5, REF•12
 Exhaust system fault - REF•17
 Expansion tank - 3•6

F

Facia - 11•20, 12•5
 Fan - 3•4
 Fast-idle speed adjustment - 4A•13, 4A•15, 4A•9, 4A•7
 Fault finding - REF•14 *et seq*
 Fault finding - automatic transmission - REF•18
 Fault finding - braking system - REF•18

Fault finding - clutch - REF•17
Fault finding - cooling system - REF•16
Fault finding - driveshafts - REF•19
Fault finding - electrical system - 5A•2, 12•3, REF•20
Fault finding - engine - REF•15, REF•16, REF•18
Fault finding - fuel and exhaust systems - REF•17
Fault finding - manual transmission - REF•17
Fault finding - suspension and steering systems - REF•19
Filling - 11•3
Filter, air - 1•22, 1•23, 4A•3, 4B•4, 4C•3, 4D•3, 4E•5
Filter, oil - 1•9
Filter, fuel - 1•25
Fire - 0•5
Float - 4A•7, 4A•9, 4A•16
Fluid seals - 7B•3
Fluids - 0•17
Flywheel - 2A•11, 2B•14, 2C•16
Fuel consumption high - REF•17
Fuel cut-off switch - 4B•5, 4C•5, 4D•4
Fuel filler pipe - 4A•6, 4B•5, 4C•5, 4D•4
Fuel filter - 1•25
Fuel gauge - 4A•6, 4B•4, 4C•5, 4D•4, 12•12
Fuel gauge fault - REF•20
Fuel hoses - 1•13
Fuel injectors - 4B•5, 4C•5, 4D•5
Fuel lines - 1•17, 4B•3, 4C•3, 4D•2
Fuel pressure check - 4C•4
Fuel pressure regulator - 4B•6, 4C•6, 4D•5
Fuel pump - 4A•5, 4B•4, 4C•4, 4C•5, 4D•4
Fuel rail - 4C•5, 4D•5
Fuel system - carburettor engines - 4A•1 *et seq*
Fuel system - central fuel injection engines - 4B•1 *et seq*
Fuel system - electronic fuel injection engines - 4C•1 *et seq*
Fuel system - sequential electronic fuel injection engines - 4D•1 *et seq*
Fuel and exhaust systems - REF•13
Fuel and exhaust systems fault finding - REF•17
Fuel tank - 4A•5, 4A•6, 4B•4, 4B•5, 4C•5, 4D•4
Fuel trap - 4B•7
Fume or gas intoxication - 0•5
Fuses - 0•16, 12•4

G

Gaiters - 1•16, 8•3, 8•4, 10•15
Gashes in bodywork - 11•3
Gaskets - REF•4
Gear lever - 7A•2
Gear selection problems - REF•18
Gear selector - 7B•2
Gearbox oil - 0•17, 1•14
Gearbox - See *Manual gearbox*
Gearchange linkage - 7A•2
Gearchange selector - 7A•3
Glossary of technical terms - REF•22 *et seq*
Grab handle - 11•20

H

Handbrake - 1•25, 9•12, 9•13, 12•6, REF•10
Handles - 11•11, 11•13, 11•20
Hazard warning switch - 12•8
HC emissions - REF•13
HCS engine in-car repair procedures - 2A•1 *et seq*
Headlight - 12•7, 12•9, 12•10
Heater - 3•2, 3•8, 12•6, 12•9
Horn - 12•12
Horn fault - REF•20
HT lead - 1•20
Hub bearings - 10•5, 10•8, REF•12
Hydraulic pipes and hoses - 9•9
Hydraulic tappets - 2C•8
Hydrofluoric acid - 0•5

I

Idle speed - 1•14, 1•15, 1•20, 4C•6
Idle speed control valve - 4D•6
Idling fault - REF•15
Ignition amplifier - 5B•5
Ignition switch - 12•5
Ignition system - 5B•1 *et seq*
Ignition fault - REF•20
Ignition timing - 5B•7
Indicators - 12•7, 12•9, 12•10
Injector ballast resistor - 4B•9
Injectors - 4C•5, 4D•5
Inlet manifold - 4A•18, 4B•9, 4C•8, 4D•7
Instruments - 1•18, 12•8, 12•11
Instrument fault - REF•20
Intercooler - 4C•8
Interior light - 12•6, 12•9

J

Jacking and vehicle support - REF•5
Joint mating faces - REF•4
Joystick - 12•16
Jump starting - 0•7

L

Leaks - 0•9, 1•12, REF•16, REF•17, REF•18, REF•20
Light-laden valve - 9•13, 9•14
Lighter - 12•9, 12•12
Lights-on warning module - 12•16
Load compartment - 11•20
Load-apportioning valve - 9•16
Locknuts, locktabs and washers - REF•4
Locks - 11•11, 11•12, 11•13, 12•5
Loudspeaker housing - 11•20
Lower arm - 10•8
Lubricants - 0•17
Luggage area - 12•6, 12•9

M

Main bearings - 2D•21, 2D•22
Manifold absolute pressure sensor - 4B•8, 4C•7

Manifolds - 4A•18, 4B•9, 4C•8, 4D•7, 4E•3
Manual gearbox
Manual transmission - 2A•10, 2B•13, 2C•15, 2D•6, 2D•8, 2D•10, 7A•1 *et seq*
Manual transmission fault finding - REF•17
Manual transmission oil - 0•17, 1•14
Mass air flow sensor - 4D•6
Master cylinder - 9•7
Minor scratches in bodywork - 11•2
Mirrors - 11•8, 11•9, REF•10
Misfire - REF•15
Mixture - 1•14, 1•15, 4C•7, REF•13
Modulator - 9•16
MOT test checks - REF•10 *et seq*
Mountings - 2A•10, 2B•13, 2C•15

N

Needle valve - 4A•7, 4A•9, 4A•16
Number plate light - 12•8, 12•10

O

Oil filter - 1•9
Oil pressure fault - REF•16
Oil pump - 2A•8, 2A•9, 2B•11, 2B•12, 2C•13
Oil seals - 2A•9, 2B•7, 2B•12, 2C•8, 2C•14, 7A•3, 7B•3, REF•4
Oil separator - 4E•5
Oil, engine - 0•12, 0•17, 1•9
Oil, manual transmission - 0•17, 1•14
Open-circuit - 12•4
Overcooling - REF•16
Overheating - REF•16
Oxygen sensor - 4B•8, 4C•7, 4D•7

P

Pads - 9•2
Paint - 1•18
Parcel shelf - 11•20
Parking light - 12•7
Passive Anti-Theft System (PATS) - 12•17
Pedals - 4A•4, 4B•4, 4C•4, 4D•3, 6•2, 9•8, 9•9
Pinking - REF•16
Piston rings - 2D•22
Pistons - 2D•17, 2D•24, 2D•25
Plastic components - 11•4
Poisonous or irritant substances - 0•5
Positive crankcase ventilation system - 4E•1, 4E•5
Power steering - 10•14, 10•15, 10•16, 10•17
Power steering fluid - 0•13, 0•17
Power steering pressure switch - 4B•8, 4C•7, 4D•7
Pre-ignition - REF•16
Printed circuit - 12•11
Pulse-air system - 4E•2, 4E•6, 4E•7

Q

Quarter mouldings - 11•8

R

Radiator - 3•6
 Radiator fan - 3•4
 Radiator grille - 11•7
 Radio - 12•15, REF•5
 Rear axle - 10•10
 Rear light cluster - 12•7, 12•8, 12•10
 Regulator (window) - 11•14
 Relays - 12•4
 Release bearing - 6•4
 Repair procedures - REF•4
 Respraying - 11•3
 Reversing light - 7A•4, 12•6
 Ride height - 10•12
 Road test - 1•18
Roadside repairs - 0•6 *et seq*
 Roadwheels - 1•15, 1•16, 1•17
 Rocker arms - 2B•7
 Rocker cover - 2B•4
 Rocker gear - 2A•4
 Roof drip rail moulding - 11•5
 Rotor arm - 1•20, 5B•5
Routine maintenance and servicing - 1•1
et seq
 Routine maintenance - bodywork and underframe - 11•2
 Routine maintenance - upholstery and carpets - 11•2
 Rubber boots - 1•16, 8•3, 8•4, 10•15
 Rust holes in bodywork - 11•3

S

Safety first - 0•5
 Scalding - 0•5
 Screw threads and fastenings - REF•4
 Seat belts - 1•18, 11•17, REF•11
 Seats - 11•17, REF•11
 Selector - 7B•2, 12•8
 Servo - 9•9, 9•11, 9•12
 Shock absorbers - 10•11, REF•11, REF•12
 Shoes - 9•5
 Short-circuit - 12•4
 Sidelight - 12•7
 Sill moulding - 11•6
 Sill scuff plate - 11•19
 Spark plug - 1•19
 Speakers - 12•16

Speedometer - 7A•3, 7B•3, 12•11, 12•12
 Spoiler - 11•12
 Springs - REF•12
 Starter inhibitor switch - 7B•4, 12•6
 Starter motor - 5A•7
 Starter motor fault - REF•15
Starting and charging systems - 5A•1 *et seq*
 Steering - See *Suspension and steering*
 Stop-light switch - 12•6
 Struts - 10•6, 10•9
 Sump - 2A•7, 2B•10, 2C•12
 Sunroof - 11•16
Suspension and steering - 1•15, 1•18, 10•1
et seq, 12•5, REF•10, REF•11, REF•12
 Suspension and steering fault finding - REF•19
 Switches - 3•5, 4B•5, 4B•8, 4C•5, 4C•7, 4D•4, 4D•7, 7A•4, 7B•4, 9•16, 12•5

T

Tachometer - 12•12
 Tailgate - 1•18, 11•12, 11•16, 12•15, 2B•7, 2C•8, 2D•16
 Temperature gauge - 3•5, 12•12
 Temperature gauge fault - REF•20
 Thermostat - 3•3
 Throttle housing - 4C•6, 4D•4
 Throttle kicker unit - 4A•10, 4A•11, 4A•13
 Throttle plate control motor - 4B•7
 Throttle position sensor - 4B•8, 4C•7, 4D•6
 Timing - 5B•7
 Timing belt - 1•25, 2B•5, 2B•6, 2C•5, 2C•7
 Timing chain - 2A•6, 2A•7
 Tools - REF•4, REF•7, REF•9
 Top Dead Centre (TDC) for No 1 piston - 2A•3, 2B•3, 2C•3
 Towing - 0•9
 Track rod end - 10•17
 Trim - 1•18
 Trim panels - 11•5, 11•6, 11•8, 11•10, 11•12, 11•13, 11•19, 11•20
 Turbocharger - 4C•8, 4C•9
 Tyres - 0•15, REF•5, REF•13
 Tyre fault - REF•19
 Tyre pressures - 0•18

U

Underbody - 1•17
 Underframe - 11•2
 Upholstery - 11•2

V

Vacuum hoses - 1•13
 Vacuum servo - 9•9, 9•11, 9•12
 Valve clearance - 1•14, 2A•4, 2B•4, 2C•4
 Valves - 2D•14, 2D•15
 Vehicle identification - REF•3, REF•11
 Vehicle speed sensor - 4B•8, 4C•7, 4D•7
 Vehicle support - REF•5
 Ventilation components - 3•2, 3•8
 Voltage regulator - 5A•4

W

Warning lights - 12•8, 12•11
 Washer system - 0•14, 12•14, 12•15
 Washers fault - REF•20
 Water pump - 3•7
 Weatherseal - 11•6, 11•16
Weekly checks - 0•10 *et seq*
 Weights - REF•2
 Wheel alignment - 1•25, 10•17
 Wheel bearings - 10•5, 10•8, REF•12
 Wheel changing - 0•8
 Wheel cylinders - 9•6
 Wheelarch liners - 11•6
 Wheels - REF•13
 Wheels locking - REF•18
 Wind deflector - 11•7
 Windows - 11•14, 11•15, 12•7, 12•15, REF•20
 Windscreen - 11•16, REF•10
 Wipers - 0•16, 12•12, 12•13, 12•14
 Wipers fault - REF•20
 Wiring check - 1•13
Wiring diagrams - 12•19 *et seq*
 Working facilities - REF•9

Z

Zetec engine in-car repair procedures - 2C•1 *et seq*

**Left blank for
manual listing
pages**

**Left blank for
manual listing
pages**

Preserving Our Motoring Heritage



<
The Model J Duesenberg Derham Tourster. Only eight of these magnificent cars were ever built – this is the only example to be found outside the United States of America

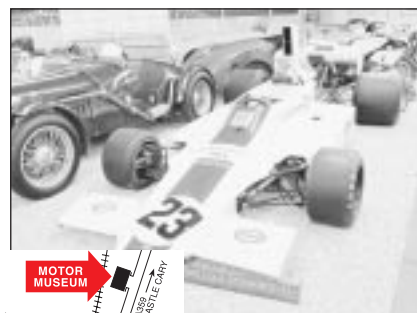
Almost every car you've ever loved, loathed or desired is gathered under one roof at the Haynes Motor Museum. Over 300 immaculately presented cars and motorbikes represent every aspect of our motoring heritage, from elegant reminders of bygone days, such as the superb Model J Duesenberg to curiosities like the bug-eyed BMW Isetta. There are also many old friends and flames. Perhaps you remember the 1959 Ford Popular that you did your courting in? The magnificent 'Red Collection' is a spectacle of classic sports cars including AC, Alfa Romeo, Austin Healey, Ferrari, Lamborghini, Maserati, MG, Riley, Porsche and Triumph.

A Perfect Day Out

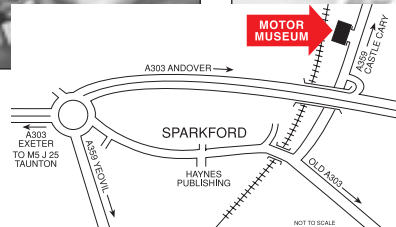
Each and every vehicle at the Haynes Motor Museum has played its part in the history and culture of Motoring. Today, they make a wonderful spectacle and a great day out for all the family. Bring the kids, bring Mum and Dad, but above all bring your camera to capture those golden memories for ever. You will also find an impressive array of motoring memorabilia, a comfortable 70 seat video cinema and one of the most extensive transport book shops in Britain. The Pit Stop Cafe serves everything from a cup of tea to wholesome, home-made meals or, if you prefer, you can enjoy the large picnic area nestled in the beautiful rural surroundings of Somerset.



>
John Haynes O.B.E., Founder and Chairman of the museum at the wheel of a Haynes Light 12.



<
Graham Hill's Lola Cosworth Formula 1 car next to a 1934 Riley Sports.



The Museum is situated on the A359 Yeovil to Frome road at Sparkford, just off the A303 in Somerset. It is about 40 miles south of Bristol, and 25 minutes drive from the M5 intersection at Taunton.

Open 9.30am - 5.30pm (10.00am - 4.00pm Winter) 7 days a week, except Christmas Day, Boxing Day and New Years Day
Special rates available for schools, coach parties and outings Charitable Trust No. 292048